

1

2

3

4

5

6

7

8

A

A

B

B

C

C

D

D

E

E

F

F

1

2

3

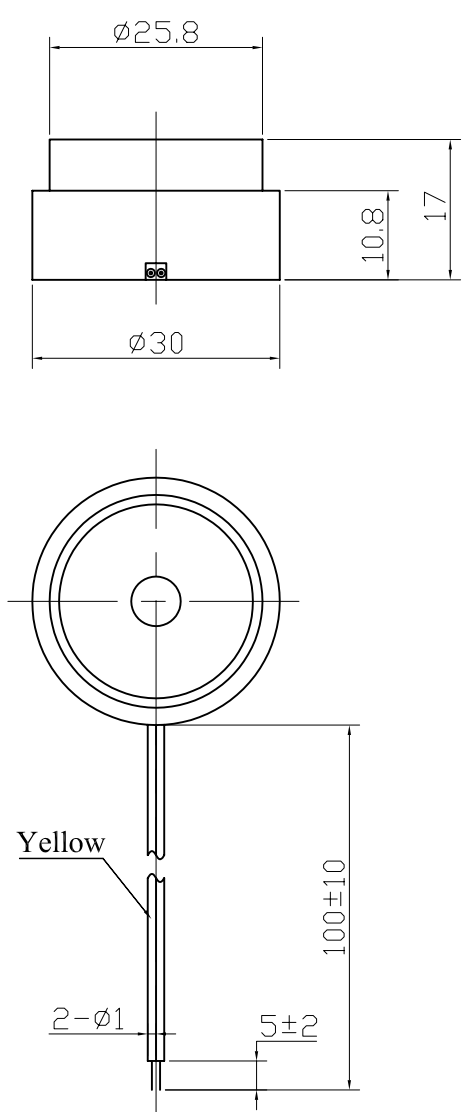
4

5

6

7

8



SPECIFICATION

- 1.Max. Rated Input Voltage200Vp-p Sine Wave
- 2.Min. Sound Pressure Level105±5dB at 30Vp-p Square Wave /3.3KHz/30cm
- 3.Rated Frequency Range3.3±0.5KHz
- 4.Max.Capacitance at 100Hz20000±30%uF
- 5.Shell Material/ColorABS/Ivory
- 6.Operating Temperature-20~+60°C
- 7.Store Temperature-30~+70°C
- 8.Weight6.5g