

SPECIFICATION SHEET

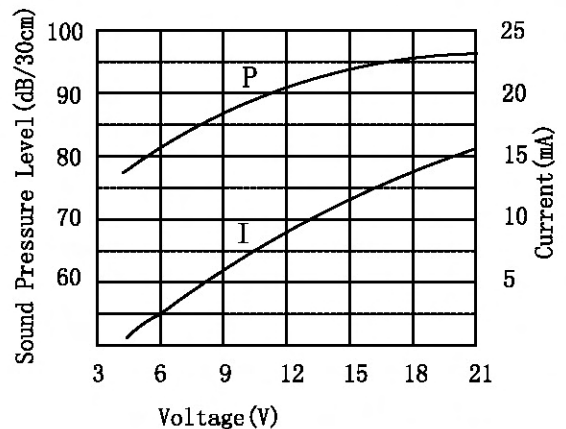
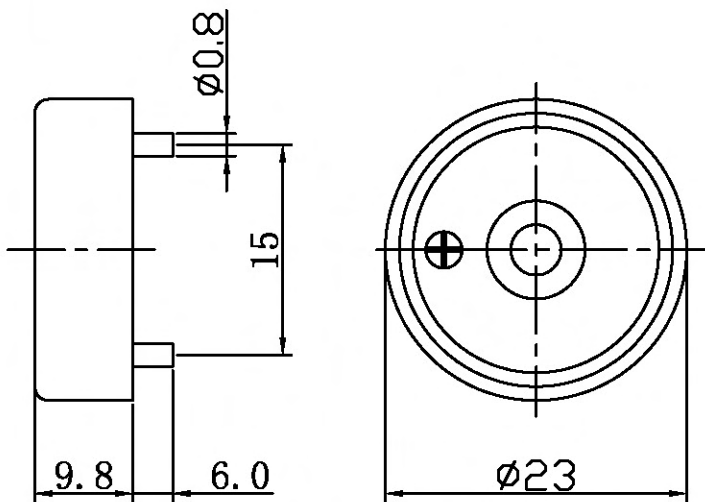
ELECTRICAL SPECIFICATIONS:

Type	Unit	EPI-R2610
Rated voltage	V	12
Operating Voltage	V	3-24
*Rated Current (MAX)	mA	12
* Min Sound Output at 30 cm	dB	85
*Resonant Frequency	Hz	3500 ± 500
Tone Nature	Continuous	
Case Material/Color	PC/Black	
Operating Temperature	° C	-30 -+ 70
Storage Temperature	° C	-40 -+ 85
Weight	g	4


*Value Applying at Rated Voltage (DC).

*Color Black PC Housing Material Pin Terminal.

DIMENSIONS UNIT:mm Tolerance: ±0.5mm



Housing material:PBT wave solder and wash not allowed

				EPI-R2610		 Page 1/1	
	NAME	DATE					
Drawing by							
Checked by							
Approved by							