

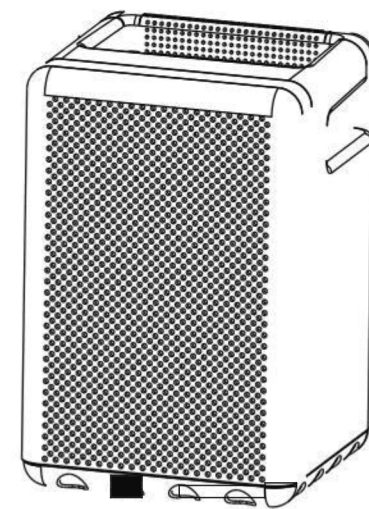
Pictures for illustration purposes only

**WIRELESS™**



## Professional Bluetooth Waterproof Speaker

### User Manual



[www.jprelec.co.uk](http://www.jprelec.co.uk)



Intellectual property right statement: The hardware and software of the product is protected by copyright law and the international convention. Without any written authorization of our company, any copy of the product and of the specifications, parts or all, will bear the corresponding legal responsibility. The brochures are copyright based on our company. Without the consent of our company, a part or all of the manual should not be released.

The manual is only for reference and the ultimate practical features are depending on the products which ordered and received by users.

## ※ Packing List

Bluetooth Waterproof Speaker.....	1 Pc
Adapter.....	1 Pc
AC Cable.....	1Pc
● User Manual.....	1 Pc

Note that

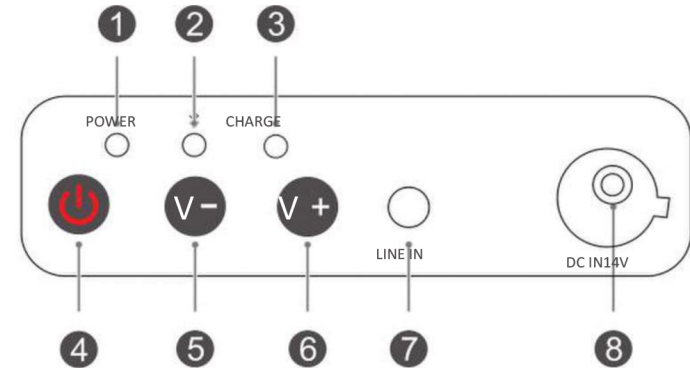
## ※ Safety Precautions and Procedures

**Attention! Safety Operation Procedures: To avoid injury from electric shock adhere to the following safety procedures:**

- ◇ **DO NOT** touch the power plug with wet hands. Power outlet must be 100-240V AC.
- ◇ **DO NOT** pull on the power cord to disconnect from the outlet. Stress to the cord can result in pulling the cord from the plug.
- ◇ **DO NOT** place the Bluetooth speaker around direct sunlight or any heat source such as electric/gas stove or heaters of any kind. Do not place near an open flame.
- ◇ **DO NOT** place anything on top of the Bluetooth speaker. Allow the speaker to sit in an open air environment with plenty of obstacles around it. Unit can overheat when not in an “open air” environment.
- ◇ **DO NOT** take apart the Bluetooth speaker for any reason. This will void the warranty and could cause electric shock injury. There are no user replaceable parts inside the Bluetooth speaker. The Bluetooth speaker can only be repaired/replaced by the manufacturer.
- ◇ **DO NOT** spill liquid on the speaker. Store in a safe dry place free from moisture.

**NOT FOLLOWING SAFETY PROCEDURES VOIDS ALL WARRANTIES!**

## ※ Waterproof Speaker



Operation Panel

- 1 Power Status Light
- 2 Bluetooth Indicator Light
- 3 (Charging) Status Light
- 4 Power Switch
- 5 Volume Down
- 6 Volume Up
- 7 Line In Jack
- 8 DC IN Jack

Status / Function	Working status	Power-off status
Power status light	Red	Light off

Power light status instruction table

Status / Function	Pairing	Playing Music	Power-off status
Bluetooth Indicator Light	Green		Light off

Bluetooth Indicator Light instruction table

Status / Function	Lack of power		Full of charge
Charging status light	<b>Red/flash</b>	<b>Red always</b>	<b>Green/</b>

Battery charging status light instruction table

## ※ Operating Instruction

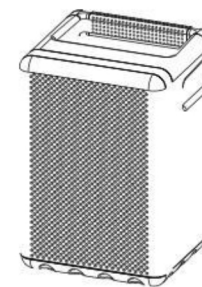
When in daily use, please power on and power off, when you don't use it. Operating steps:

### Step1. Turn on the Bluetooth speaker and the Bluetooth device.

- A. Press the power switch for about 3 seconds to turn on the speaker, and then you can hear "Power on". The power status light is red.
- b. Turn on the Bluetooth device as the device operate instructions.

### Step2. Bluetooth connection

Search and connect "SOYO-TECH" in your bluetooth device (No password, or "0000"). Then you can hear "Paring Completed", and the Bluetooth indicator shows green light consistently.



• Cellphone & Audio Devices

• Waterproof Speaker

### Step3. Play music


After the Bluetooth is connected, open the music player software of the phone (or other Bluetooth devices). And then turn up the volume of the speaker or music player software to enjoy the music. The Bluetooth indicator light off.

### Step5.Turn off the speaker & Bluetooth device

- A.Press the power switch for about 3 seconds to turn off the speaker,  
The power status light light off.
- B.Turn off the Bluetooth device as the device operate instuctions.

### ❌Wired Audio Mode

Plug the audio cable to the line in of the Bluetooth speaker.And plug the other side of the audio cable to the music player. Then you can play the music.

 **Attention:** Don't use the Bluetooth mode when using the wired audio mode.And in wired mode, the volume up & volume down button doesn't work.

## ❌ Trouble Shooting

### **Trouble1: No found "SOYO-TECH"**

Reason1: Perhaps the battery of the Bluetooth speaker is too low.

Solution1: Please give the speaker charge.

Reason2: Perhaps the power switch of the speaker is turned off.

Solution2: Make sure the speaker is turned on.

Reason3: Perhaps the Bluetooth speaker is out of search range.

Solution3: Make sure the range is not beyond 10m.

### **Trouble 2: Cannot connect with "SOYO-TECH"**

Reason: The Bluetooth speaker was already connected with other device.

Solution: Turn off other device and do Bluetooth connection again.

### **Trouble3: Distortion of sound**

Reason: Volume is too high.

Solution: Turn down the volume of the Bluetooth speaker.

### **Trouble4: Unstable sound output**

Reason: Perhaps Bluetooth device is too far away from the speaker.

Solution: Let the Bluetooth device close to the speaker.

## ※ Specifications

NO.	Description	Waterproof Speaker
1	Frequency	2.4G ISM
2	Power(input voltage)	DC14V
3	THD	0.3%@1KHz
4	Distance	10 meters
5	Sample Ratios	64KHz/16bit
6	S/N Ratio	>95dB
7	Latency	<0.5ms
8	Lithium battery	6000mA
9	Lithium battery life	>10h
10	Battery charge time	6-7h
11	Output power	30W
12	Frequency Modulation	Automatically
13	Work temperature	-25°C ~+ 85°C
14	Weight	3.29Kg
15	Product size	172*166 262mm(W D H)
16	Safety standard	CE FCC TELEC