

1

2

3

4

5

6

7

8

A

A

B

B

C

C

D

D

E

E

F

F

1

2

3

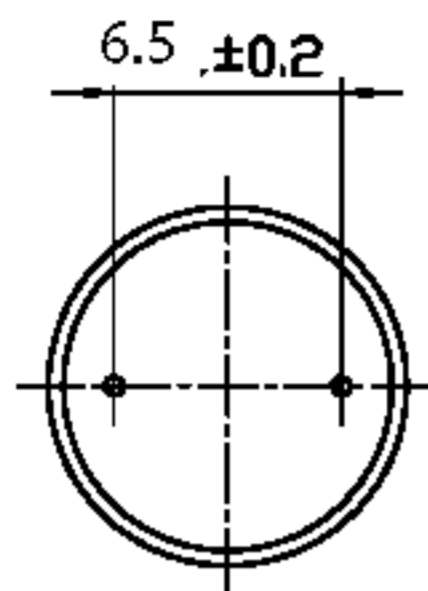
4

5

6

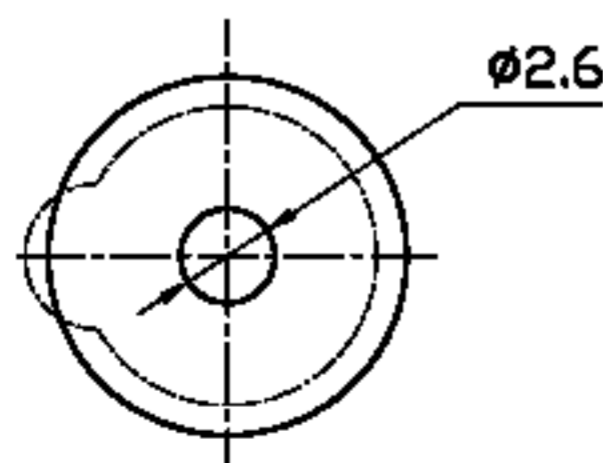
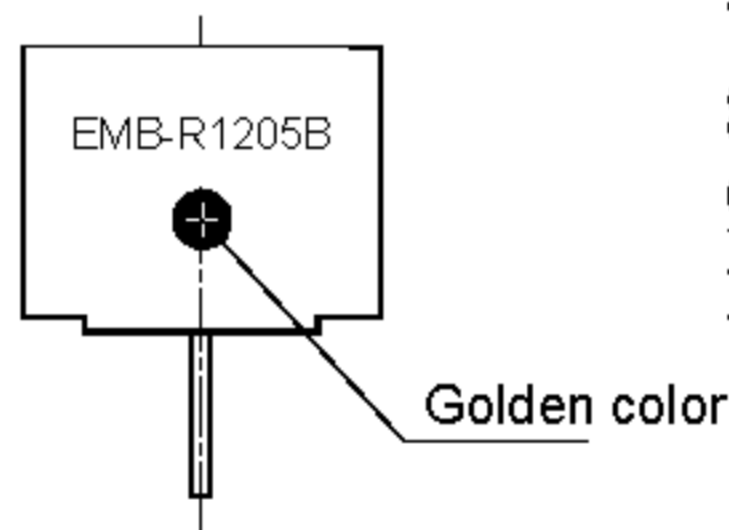
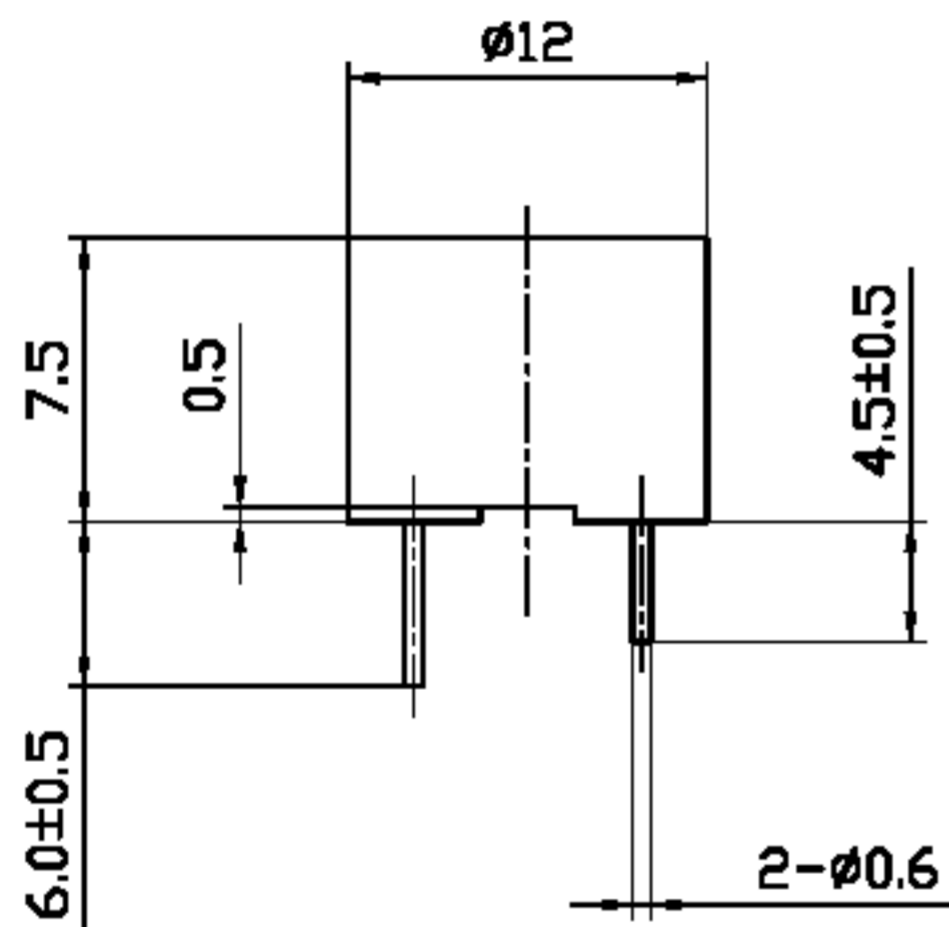
7

8



SPECIFICATION

- 1. Rated Voltage 5 VDC
- 2. Operating Voltage 4~7 VDC
- 3. Max. Rated Current 30mA/5VDC
- 4. Min. Sound Pressure Level 85dB/10cm
- 5. Resonant Frequency 3100±500Hz
- 6. Response Time
- 7. Case Material NORYL
- 8. Operating Temperature -20~+70°C
- 9. Store Temperature -30~+80°C
- 10. Weight 2g



Customer: JPR ELECTRONICS