

1

2

3

4

5

6

7

8

A

A

B

B

C

C

D

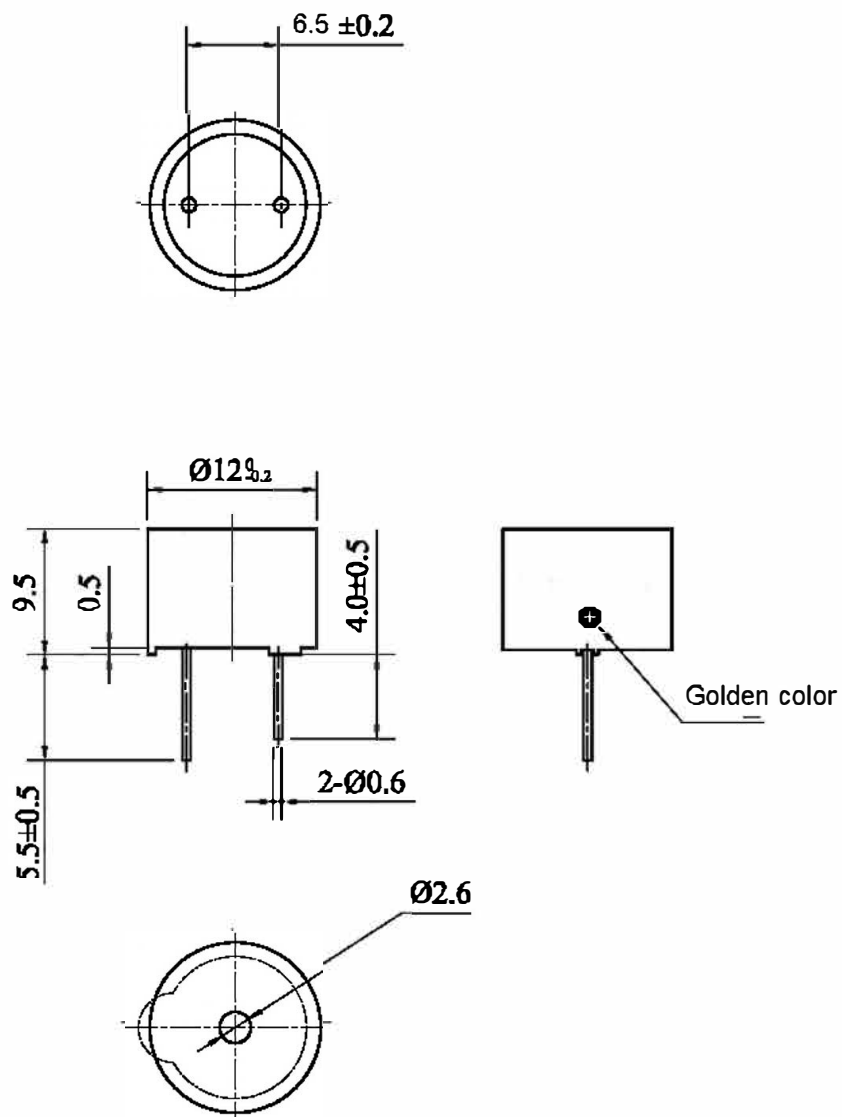
D

E

E

F

F



## SPECIFICATION

1. Rated Voltage ..... 12 VDC
2. Operating Voltage ..... 8~16 VDC
3. Max. Rated Current ..... 30mA/12VDC
4. Min. Sound Pressure Level ..... 85dB/10cm
5. Resonant Frequency .....  $2300 \pm 300$ Hz
6. Response Time .....
6. Case Material ..... NORYL
7. Operating Temperature .....  $-20 \sim +70^{\circ}\text{C}$
8. Store Temperature .....  $-30 \sim +80^{\circ}\text{C}$
9. Weight ..... 2g

\* Wave solderable and washable

\* RoHS Compliant

Customer: JPR ELECTRONICS

Customer's code: 400-712

1

2

3

4

5

6

7

8