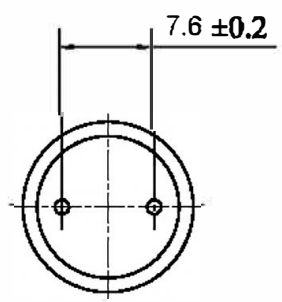


1 2 3 4 5 6 7 8

A

A



B

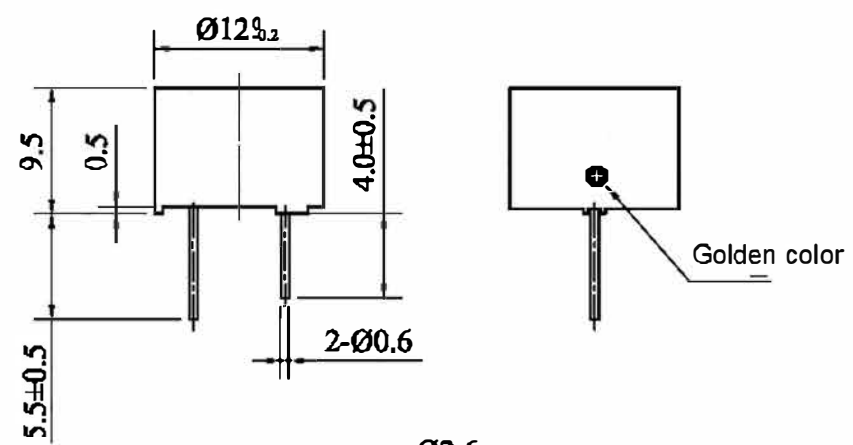
B

SPECIFICATION

- 1. Rated Voltage 12 VDC
 - 2. Operating Voltage 8~16 VDC
 - 3. Max. Rated Current 30mA/12VDC
 - 4. Min. Sound Pressure Level 85dB/10cm
 - 5. Resonant Frequency 2300±300Hz
 - 6. Response Time
 - 6. Case Material NORYL
 - 7. Operating Temperature -20~+70°C
 - 8. Store Temperature -30~+80°C
 - 9. Weight 2g
- * Wave solderable and washable
* RoHS Compliant

C

C

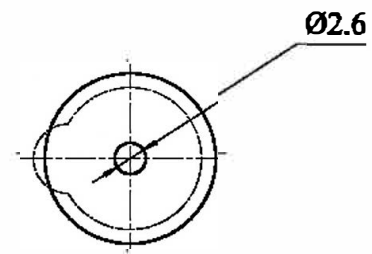


D

D

E

E



F

F

Customer: JPR ELECTRONICS
Customer's code: 400-812

1 2 3 4 5 6 7 8