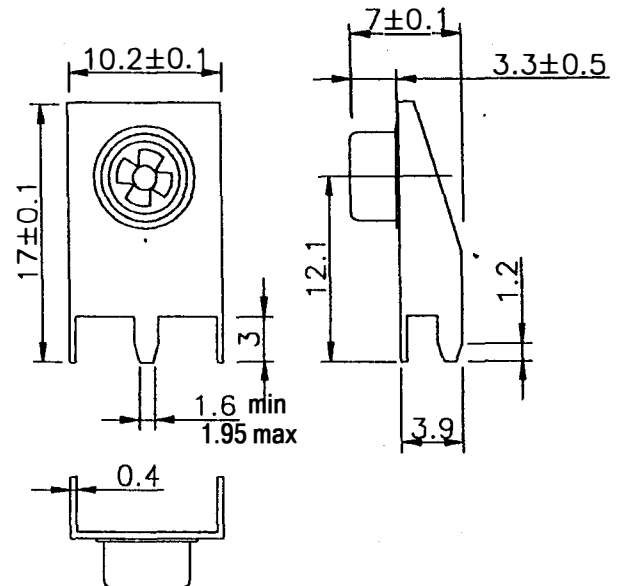
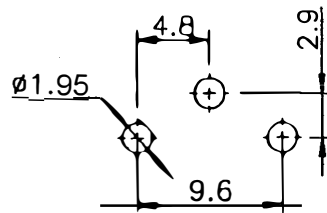


FEMALE CONTACT



MALE CONTACT



MOUNTING HOLES

SPECIFICATION

- (1) ITEM NO.: SNAP ON
- (2) WITH 6 PRONG SNAP TERMINAL
- (3) MATERIAL: BRASS, NICKEL PLATED
(THICKNESS: 0.4MM)

3		
2		
1		
NO.	MODIFICATION	DATE
<p>THIRD ANGLE PROJECTION</p>		

COMFORTABLE ELECTRONIC CO.LTD.			
NAME	JPR Electronics Ltd 440-013		
SCALE	2:1	APPD.	<i>Yehui Qin</i>
UNIT	MM	CHKD.	<i>Wangyan Liang</i>
MAT'L	BRASS	DWN.	LING
DATE	99.DEC.22	DR NO.	9VSNAP0B6-1099