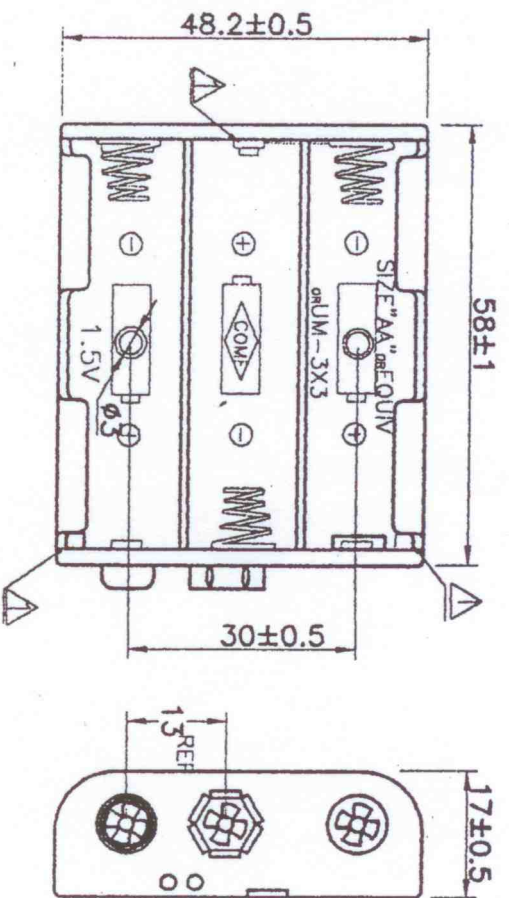
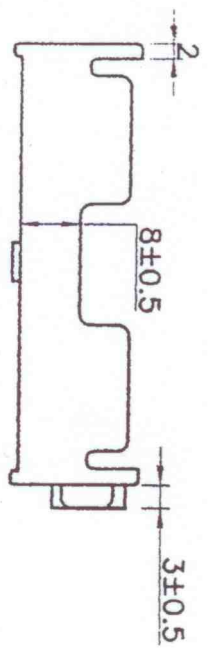


440-095



SPECIFICATION


- (1) ITEM NO.: BH-331B<sub>6</sub>
- (2) WITH 6 PRONG SNAP TERMINAL
- (3) MATERIAL: P.P. RESIN, BLACK COLOR
- (4) SPRING: 0.7 MM 65C SPRING WIRE
- (5) ROHS COMPLIANCE



3		
2	add safeguard	12/30
NO.	MODIFICATION	DATE



THIRD ANGLE PROJECTION

 <b>COMFORTABLE ELECTRONIC CO.LTD.</b>		NAME	BATTERY HOLDER	BH-331B <sub>6</sub>
		SCALE	1:1	APPD.
	UNIT	MM	CHKD.	<i>Huang Yong 1/01</i>
	MAT'L	P.P.	DWN.	LING
	DATE	JAN.3.2001	DR NO.	3310B <sub>6</sub> -0101