



Me/Arm

Instructions

The MeArm should be fun to build and easy to control. We've spent a lot of time putting together instructions for building and controlling the MeArm. We advise that you work out and test how to control your Servo Motors before constructing your MeArm. It will save you time and frustration, and lessen the chance that your MeArm will just be something cool to sit on your shelf.

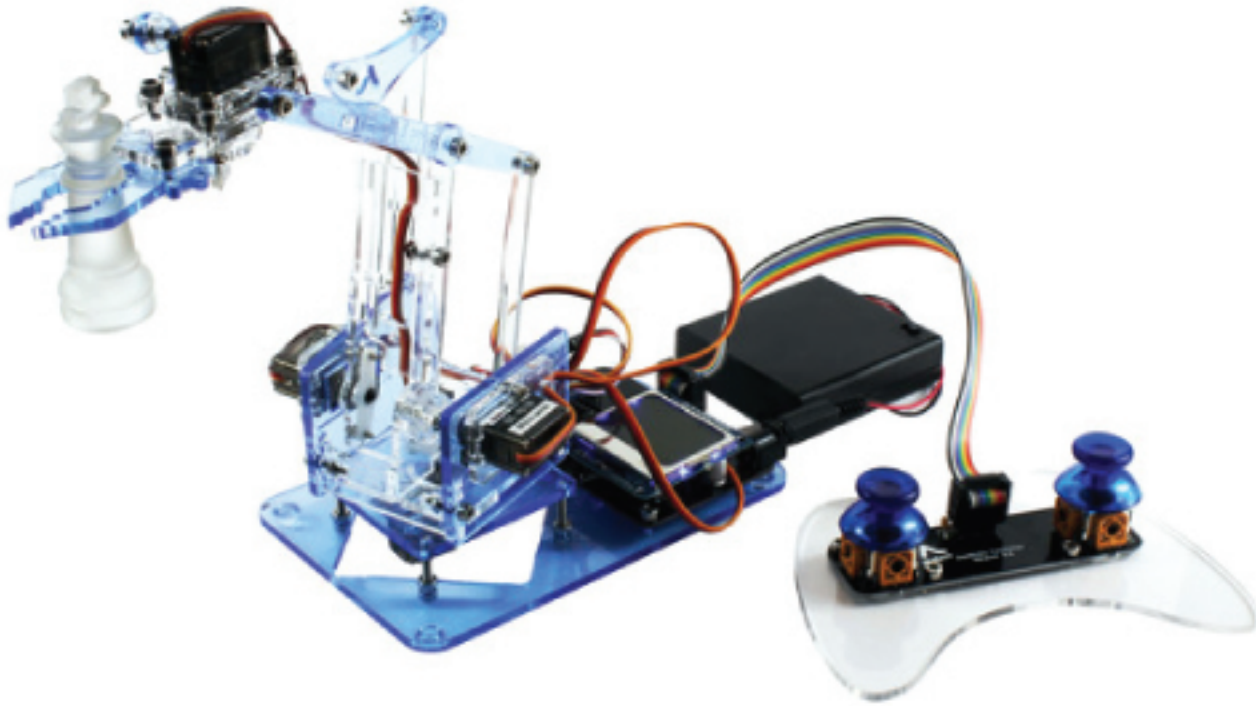
Below are instructions for our Official Deluxe Kit, Arduino and Raspberry Pi. Good luck and happy building!

Instructions for Deluxe Kit

We've put together a step by step guide, complete with wire frame pictures to help you assemble the MeArm. Included is all the info you'll need to set up your Brains Board (the MeArm controller of choice), get it powered and ready to play!

PLEASE NOTE 6V MAX on the Brains Board!

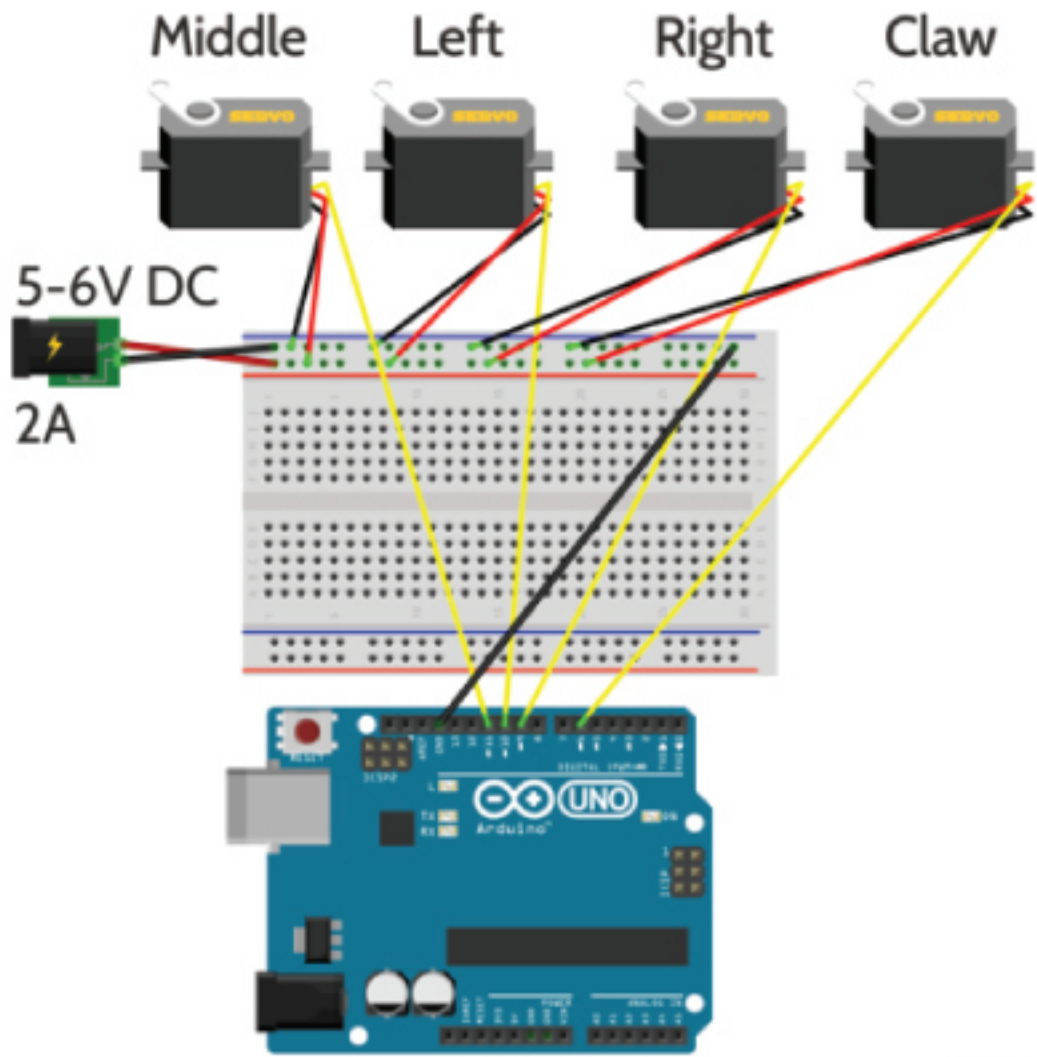
- [Build Guide for MeArm v1.0 \(pdf Manual Revision 1.4\)](#)
- [Code that currently ships on Brains Board](#)
- [Cutting Files for MeArm v1.0 \(dxf\)](#)
- [Hacking the Brains Board](#)
- [Running the MeArm with Scratch \(actually Snap\)](#)



Instructions for MeArm with Arduino

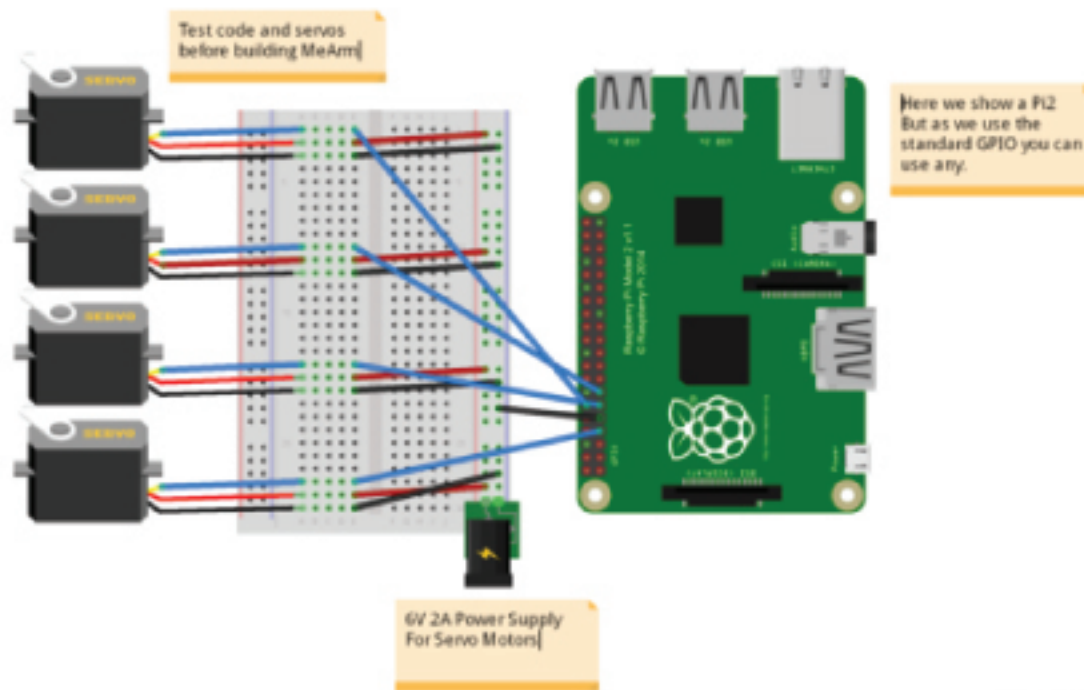
One of the favourite ways to use the MeArm is with an Arduino, so we've made a guide for that too.

- [Build Guide for MeArm v1.0 with Arduino \(pdf Manual Revision 1.0\)](#)



fritzing

Instructions for MeArm with Raspberry Pi



fritzing

Setting up a MeArm with a Raspberry Pi is quite a simple task. We detail the process [here](#)

Previous Versions

[Build Guide for MeArm v0.4 \(instructables Website\)](#)

[Guide for the Brains Board v1.0](#)

[Build Guide for MeArm v1.0 \(pdf Manual Revision 1.2\)](#)

[Build Guide for MeArm v1.0 \(pdf Manual Revision 1.3\)](#)