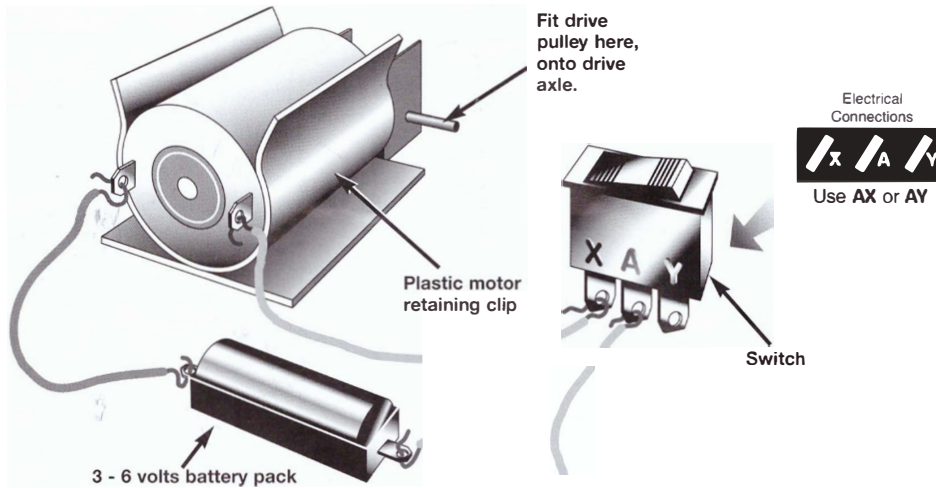


## Small Gearbox Worm Drive Slow Drive Unit - Instructions for Use

EDUCATIONAL PRODUCTS

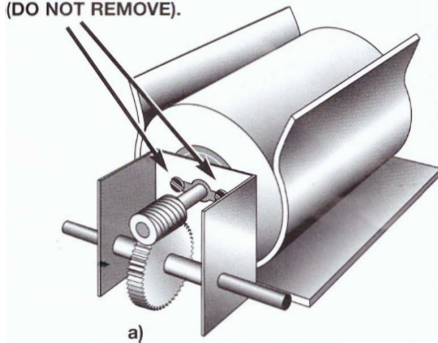
Connect the circuit as shown below. Use a 3-6V battery pack.  
Switch on. The drive axle should turn smoothly.



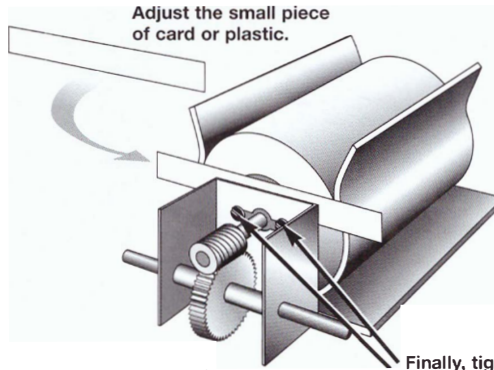
If the axle does NOT turn easily and smoothly, you should:

- Loosen and adjust the gearbox about the two retaining screws (Do NOT remove the screws)
- or
- If the gearbox still does not run smoothly then add a small piece of card or plastic, for adjustment, between the gearbox and motor as shown below.

Loosen screws  
(DO NOT REMOVE).



Adjust the small piece  
of card or plastic.



Finally, tighten  
screws and test  
for smooth drive.

**The following items are not supplied in the KIT, but are available from JPR Electronics**  
DC Motors **MM18** (order code 450-015) or **MM28** motor (450-020).  
Motor Mounting Bracket (450-052)