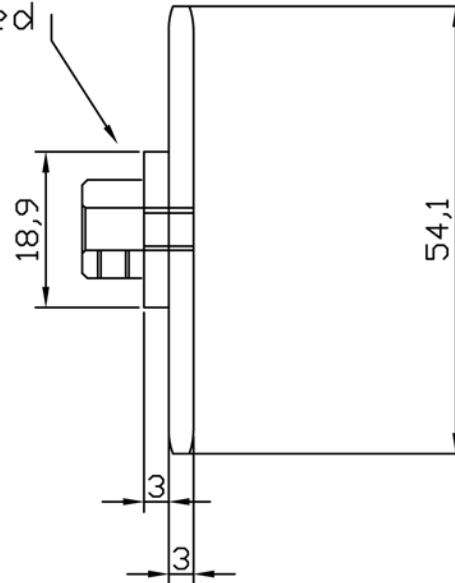
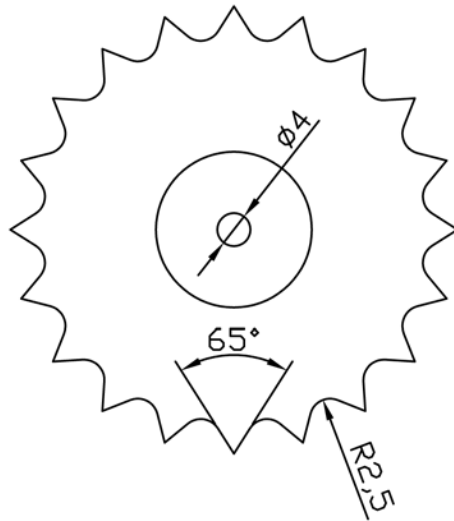


THIRD ANGLE PROJECTION ALL DIMENSIONS IN MM IF IN DOUBT ASK

TOLERANCE UNLESS OTHERWISE STATED		
GENERAL TOLERANCE		
NO DECIMAL PLACE	±	0.5mm
ONE DECIMAL PLACE	±	0.3mm
TWO DECIMAL PLACES	±	0.1mm
ANGLES	±	1°

inserted
with com
3
brass
insert
4.05 bore
M3
tapped
hole



14/06//02	1
Date	Issue

DESCRIPTION : 20t sprocket
PROD Code: 450-154

MATERIAL : Polyprop GREY	drawn	checked	date	PART No.: 0120
SCALE : FINISH :	RS		14/06/02	DRAWING No. : T119