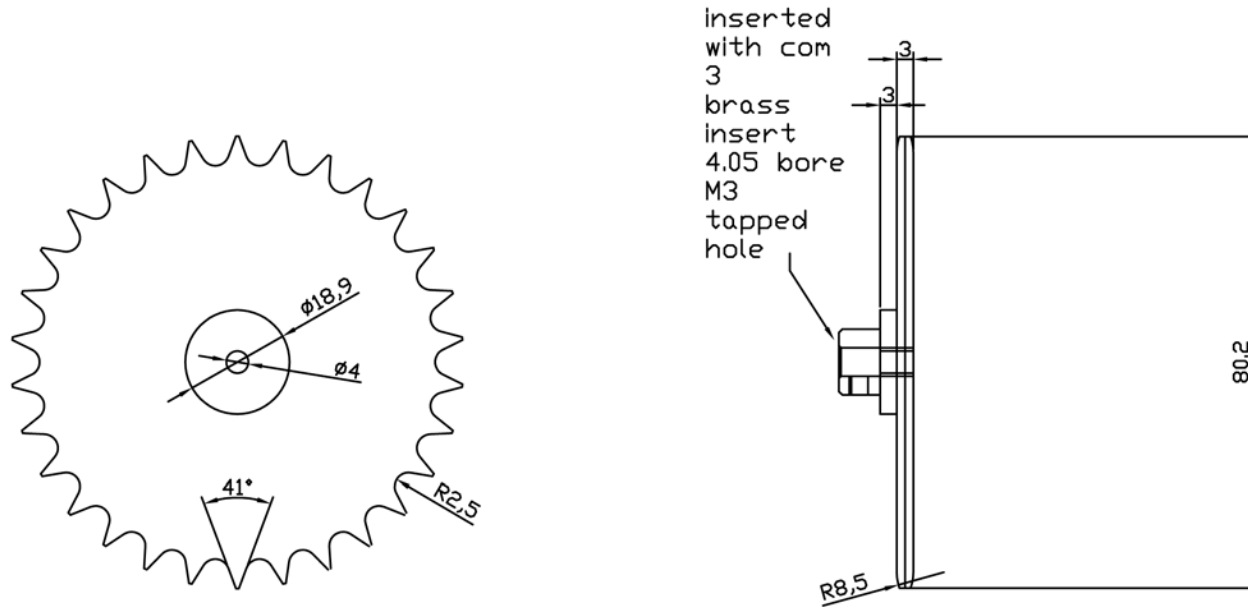


THIRD ANGLE PROJECTION ALL DIMENSIONS IN MM IF IN DOUBT ASK

TOLERANCE UNLESS OTHERWISE STATED		
GENERAL TOLERANCE		
NO DECIMAL PLACE	±	0.5mm
ONE DECIMAL PLACE	±	0.3mm
TWO DECIMAL PLACES	±	0.1mm
ANGLES	±	1°



14/06//02	1
Date	Issue

DESCRIPTION :30t sprocket
PROD Code: 450-156

MATERIAL : Polyprop GREY	drawn	checked	date	PART No.: 0130
SCALE :	FINISH :	RS	14/06/02	DRAWING No. : T119