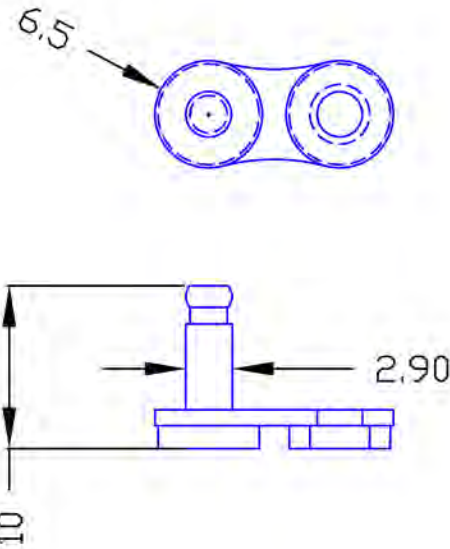
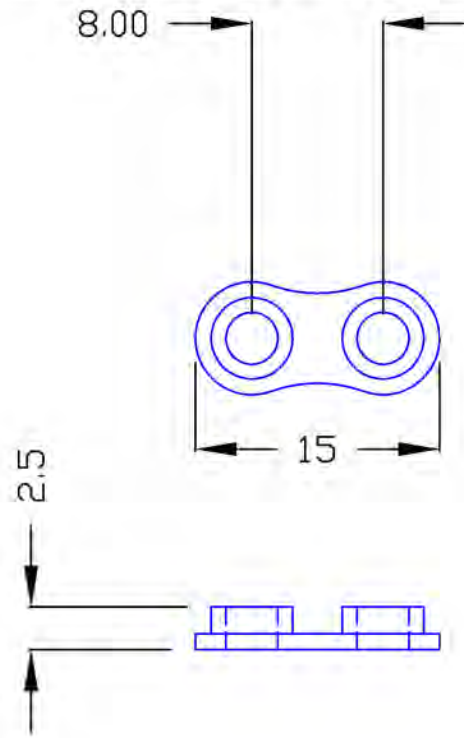
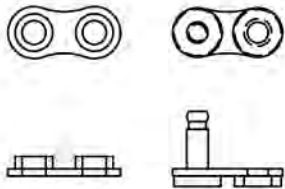


THIRD ANGLE PROJECTION ALL DIMENSIONS IN MM IF IN DOUBT ASK

TOLERANCE UNLESS OTHERWISE STATED		
GENERAL TOLERANCE		
NO DECIMAL PLACE	±	0.5mm
ONE DECIMAL PLACE	±	0.3mm
TWO DECIMAL PLACES	±	0.1mm
ANGLES	±	1°



ACTUAL SIZE



20/06/02	3
12/07/96	2
08/09/95	1
Date	Issue

DESCRIPTION : CHAIN

PROD Code: 450-158

PART No.: 0108

DRAWING No. : 088

MATERIAL : HDPE (BLUE)

drawn checked date

SCALE : FINISH :

RS 20/06/02