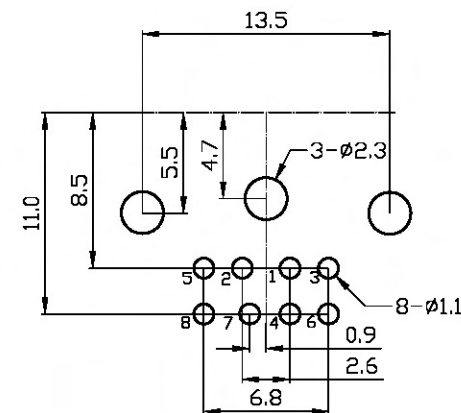
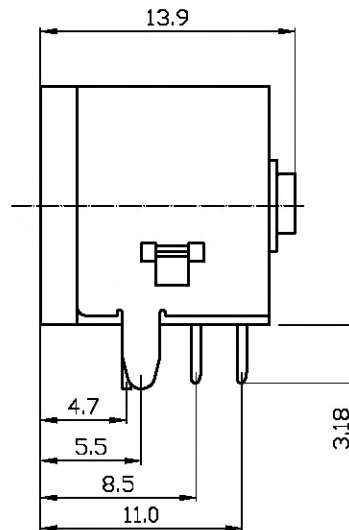
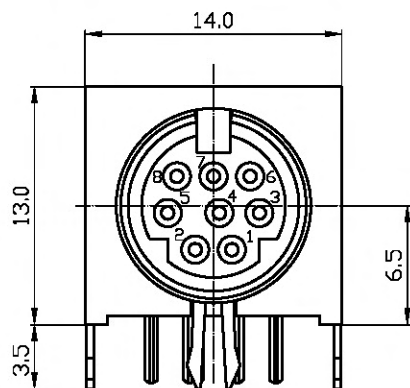


SYMBOL	REVISION	APPROVAL	DATE



PCB LAYOUT  
(BOTTOM VIEW)

ARRANGEMENT OF CONTACTS						
MODEL NO	MD24-3SV	MD24-4SV	MD24-5SV	MD24-6SV	MD24-7SV	MD24-8SV

**RoHS COMPLIANT**

EU Directive 2002/95/EC

12	Housing	PBT	Black	1
11	Cover	PBT	Black	1
10	Shield	SPCC	Tin Plated	1
9	Terminal No 9VY	Brass	Tin Plated	1
1-8	Terminals	Phosphor Bronze	Tin Plated & Gold Flash	8
ITEM	NAME	MATERIAL	FINISH	SUM

**JPR**

TOLERANCES	Model Name: MINI DIN JACK		
X. ± 0.5	Model No: MD24-(3-8)SV-000-25		
X.X ± 0.3	FILE:RD05/D/PRODUCT/MD24-(3-8)SV-000-25		
X.XX ± 0.15	SCALE: FULL	DATE:	2006-4-24
ANGLE: ±3°			

UNIT MM		DRAW	CHECK	APPROVE
REVISION: A	DWG NO: 2006-PD-0278	Design:		