

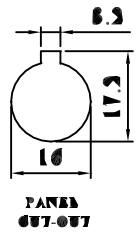
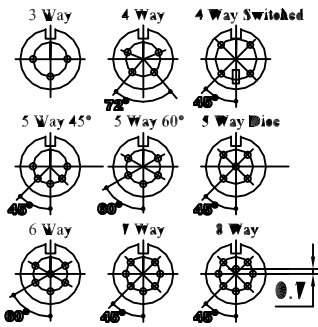
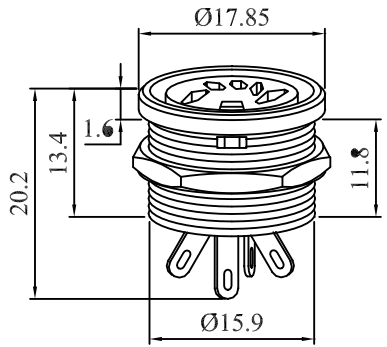
A range of professional chassis mounting sockets, designed for panel mounting via a single hexagonal turned brass nut. These sockets incorporate an anti-rotational locating spigot, and mate with all standard lockable plugs.



Material	
Housing	Brass, nickel plated
Moulding	Noryl SE1
Contacts	Brass, silver plated
Nut	Brass, nickel plated

Product Specification	
Test Voltage:	1000 V d.c
Current Rating:	4 A
Insulation Resistance:	$10^{11} \Omega$ min at 100 V d.c
Contact Resistance:	$10^{11} \Omega$ max
Capacity (mated):	3pF
Temperature Range:	-25°C to +75°C

Dimensions



Type	Deltron No
3 Way	650-0300
4 Way	650-0400
4 Way Switched	650-0410
5 Way 45°	650-0500
5 Way 60°	650-0510
5 Way Dice	650-0520
6 Way	650-0600
7 Way	650-0700
8 Way	650-0800

CONVERTED FROM PS0460 ISS3 (02.03.94) IN JAN 2003

DrgNo 650 SERIES

TITLE PROFESSIONAL CIRCULAR CHASSIS SOCKET (NICKEL)

ALL DIMENSIONS IN MM ANGLES IN DECIMAL DEGREES

ISSUE 5

GENERAL SPECIFICATION FOR 650 SERIES

CUSTOMER		FILTER REF	
Aprvd Date 20/07/06	Aprvd By BFS	Drwn by BS	Scale: NTS
			Sheet 1/ 1