

A range of audio and video connectors incorporating many innovative features. Assembly and disassembly is screwless and is achieved by a few turns of the back shell.

-Available in satin nickel or matt black finish, with silver gold plated contacts.

-The strain relief collet ensures a positive cable grip.

-Generous solder buckets enable easier cable assembly as well as catering for larger conductive sizes.

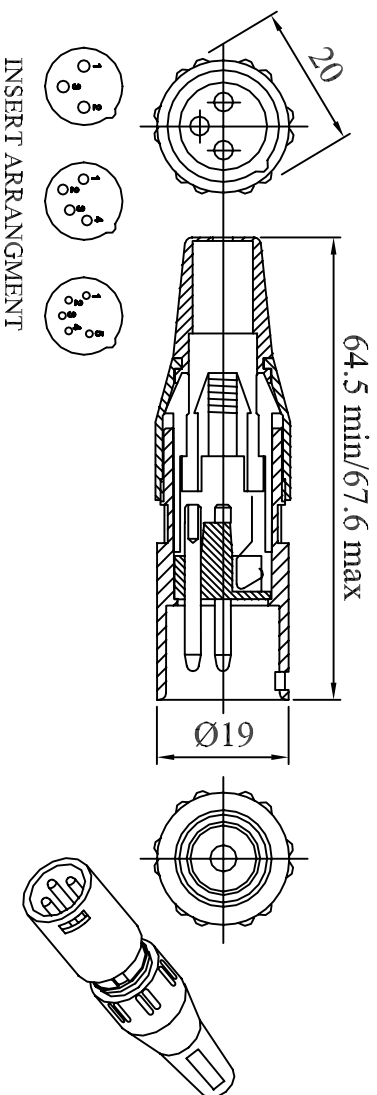
-A range of coloured plastic coding rings is also available, each with a single number moulded in, offering a quick and easy system of channel identification.

(Note: these connectors are not suitable for mains applications)

RoHS
2002/95/EC

Compliant

Dimensions



Deltron Part No	Silver Contacts		Gold Contacts	
	Nickel	Black	Nickel	Black
3-Way	701-0300	709-0300	705-0300	713-0300
4-Way	701-0400	709-0400	705-0400	713-0400
5-Way	701-0500	709-0500	705-0500	713-0500

Mechanical Properties

Cable retention

Cable range

Housing

Contact base

Contacts

Strain Relief

Sealing ring

Chuck

Screw collar

Screen

Interchangeable

Connector ident

Ident options

Operating Temp

Insertion force

Withdrawal force

Min No. insertions

Electrical Properties

Number of contacts

Rated current per contact

Maximum wire size

(solid)

Cap. Between contacts

Rated voltage

Test voltage

Contact resistance

Insulation resistance

Chuck and screw collar

Ø 2.8mm to Ø 8.0mm

Zinc high pressure diecasting

satin nickel or black chrome

Valox DR48

Brass, 3 microns silver anti-tarnish

finish or 0.5 microns gold

P.V.C. (black)

Santoprene (UL 94 HB)

Acetal (UL 94 HB)

Zinc high pressure diecasting

satin nickel or black chrome

Spring Steel, 3 microns silver

anti-tarnish

Spring on coloured rings

Acetal (UL 94 HB)

Black, Brown, Red, Orange, Yellow,

Green, Blue, Violet, Grey, White

-30°C to +80°C

20N

10N

5000

3, 4 or 5

16, 10 or 7.5 Amps

14, 14 or 14 AWG

2.5, 2.5, 2.5 mm²

4, 7 or 7 pF

250 Volts ac

1500 Volts ac

3m Ω

1G Ω

CONVERTED FROM PS805 ISS4 (23.09.02) IN JAN 2003

DrngNo 701-709-705-713

TITLE PROFESSIONAL QUALITY (7000 SERIES)-CABLE PLUG

ALL DIMENSIONS IN MM
ANGLES IN DECIMAL DEGREES



DELTRON Components



5

GENERAL SPECIFICATION
FOR MULTIPOLE CONNECTOR

CUSTOMER

Aprvd Date 29/11/05

Aprvd By BFS

FILTER REF

Drwn by BS

Scale: NTS

Sheet 1 / 1