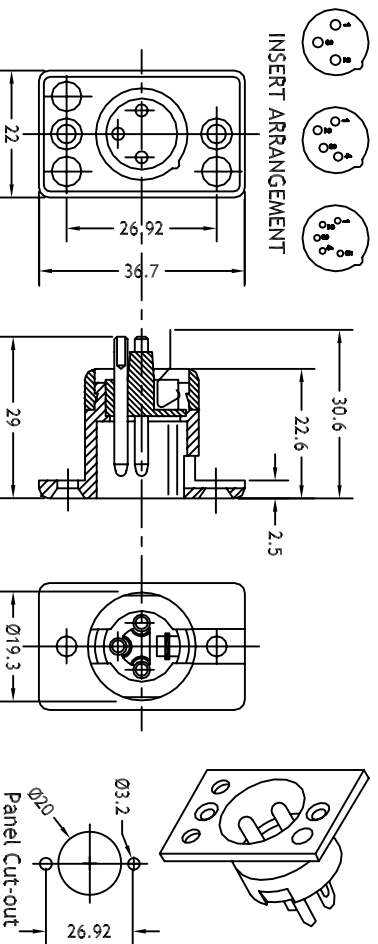


- A range of panel mounting audio and video connectors incorporating many innovative features, compatible with all leading manufacturers' cable sockets
- Has an internal cut out which ensures a positive and secure socket retention feature.
- Generous solder buckets enable easier cable assembly as well as catering for larger conductive sizes.
- A range of coloured plastic coding buttons is also available, offering a quick and easy system of channel identification.
- Available in satin nickel or matt black finish, with either silver or gold plated contacts.

(Note: these connectors are not suitable for mains applications.)

**RoHS**  
2002/95/EC  
Compliant

Dimensions



Deltron Part No	Silver Contacts		Gold Contacts	
	Nickel	Black	Nickel	Black
3-way	703-0300	711-0300	707-0300	713-0300
4-way	703-0400	711-0400	707-0400	715-0500
5-way	703-0500	711-0500	707-0500	715-0500

CONVERTED FROM PS807 ISS3 (23.09.02) IN JAN 2003

DrgNo 703-711-707-715

TITLE PROFESSIONAL QUALITY (7000 SERIES)-PANEL PLUG

ALL DIMENSIONS IN MM  
ANGLES IN DECIMAL DEGREES

**DELTRON Components**

4

GENERAL SPECIFICATION  
FOR MULTIPOLE CONNECTOR

CUSTOMER

FILTER REF

Aprvd Date 29/11/05

Aprvd By BFS

Drwn by BS

Scale: NTS

Sheet 1 / 1

**Features**

**Mechanical Properties**

- Housing: Zinc high pressure diecast
- Contacts: Satin nickel or black chrome
- Contact Base: Valox DR48
- Collar: Brass, 3 microns silver, anti-tarnish
- Screen: Finish, or 0.5 microns gold
- Interchangeable Connector Ident. Buttons: Polypropylene VIR 222, black
- Ident. Options: Spring Steel, 3 microns silver
- Operating Temp: Acetal (UL 94 HB)
- Insertion Force: Black, Blue, Orange, Red, Green
- Withdrawal Force: Yellow, Brown, Violet, Grey, White
- Min No. Insertions: -30°C to +80°C
- 20N
- 10N
- 5000

**Electrical Properties**

- Number of Contacts: 3, 4 or 5
- Rated Current per Contact: 16, 10 or 7.5 AWG
- Maximum Wire Size: 14, 14 or 14 AWG
- (solid): 2.5, 2.5 or 2.5mm
- Cap. Between Contacts: 4, 7 or 7pF
- Rated Voltage: 250 Volts a.c.
- Test Voltage: 1500 Volts a.c.
- Contact resistance: 3 milli-Ohms
- Insulation resistance: 1 giga-Ohms