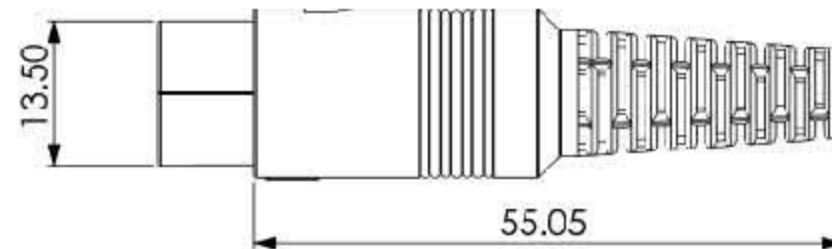
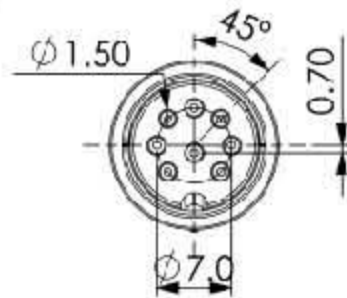
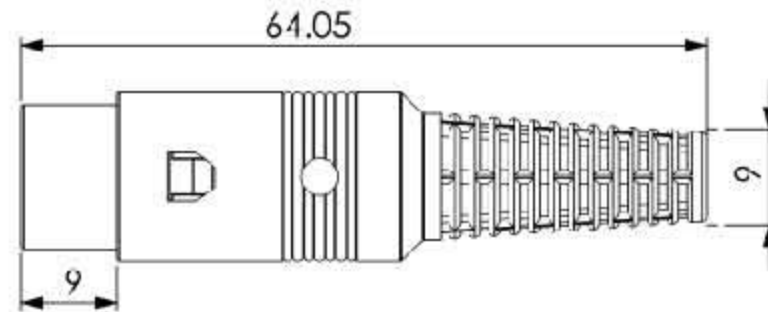


**K3161x**

# DIN CABLE PLUG ASS'Y TYPE



## MATERIAL :

1. SHELL COVER : EVA + LLDPE
2. SHIELD COVER A : STEEL NICKEL PTD.
3. SHIELD COVER B : STEEL NICKEL PTD.
4. HOUSING : ABS
5. TERMINALS : BRASS NICKEL PTD.

## SPECIFICATION :

Rating : 100V AC 1A max.

Contact Resistance :

Pins 30mΩ max.

Shell 50mΩ max.

Insulation Resistance :

100MΩ at 500V DC min.

Voltage Withstand :

250V AC for 1 minute

K3161A	K3161B	K3161C	K3161D	K3161E	K3161F	K3161G	K3161H