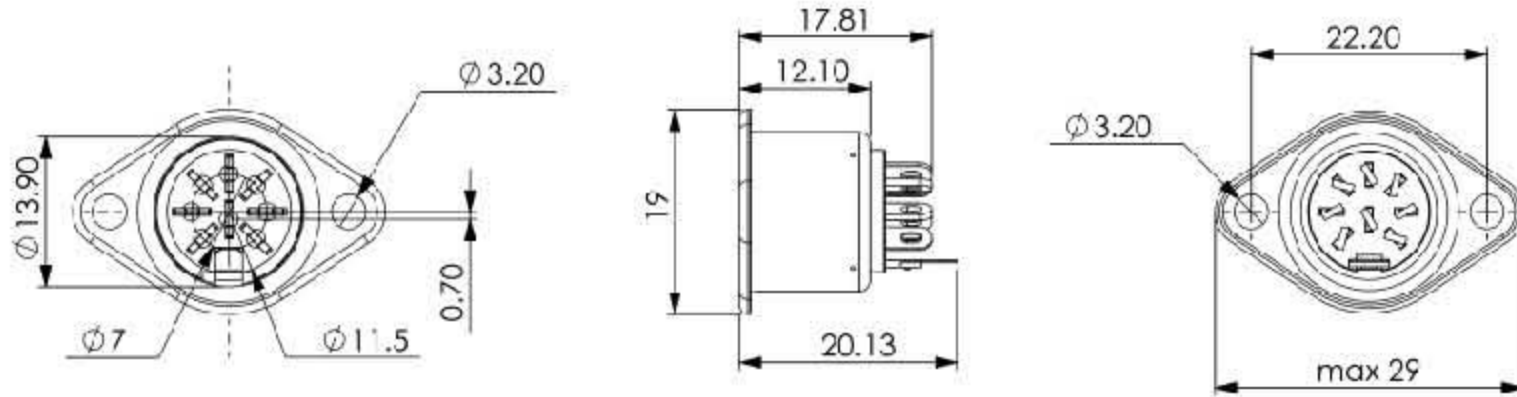


K3710x

DIN SOCKET CHASSIS MOUNT



MATERIAL :

1. SHELL COVER : STEEL NICKEL PTD.
2. GND CONTACTOR : PHOSPHOR BRONZE NICKEL PTD.
3. HOUSING : ABS
4. TERMINALS : COPPER SILVER PTD.

SPECIFICATION :

Rating : 100V AC 1A max.

Contact Resistance :

Pins 30mΩ max.

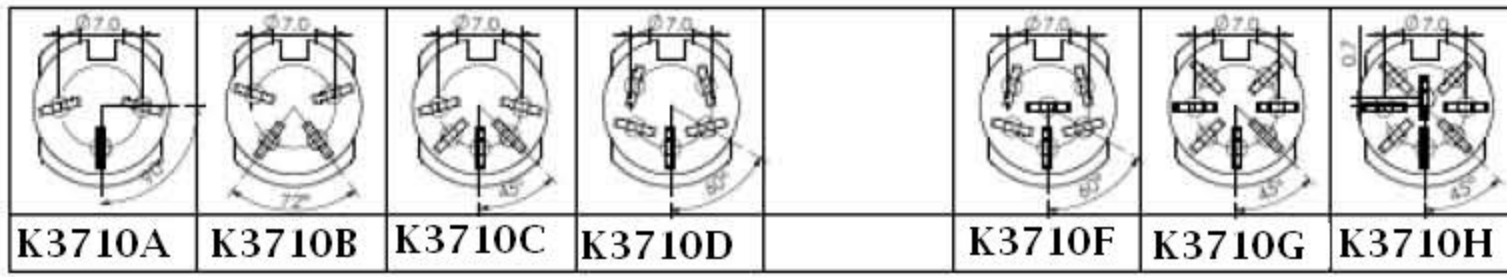
Shell 50mΩ max.

Insulation Resistance :

100MΩ at 500V DC min.

Voltage Withstand :

250V AC for 1 minute



K3710A



K3710B



K3710C



K3710D



K3710F



K3710G



K3710H