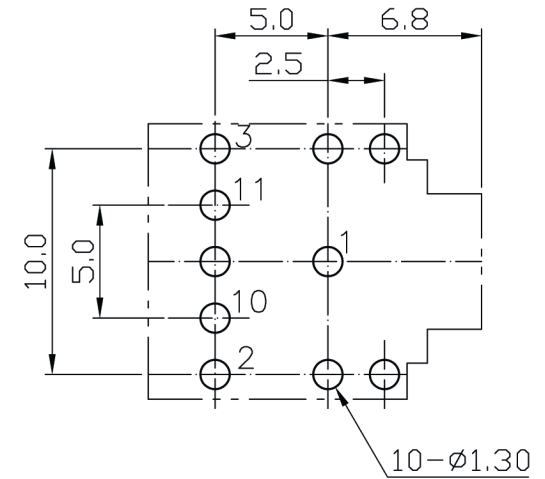
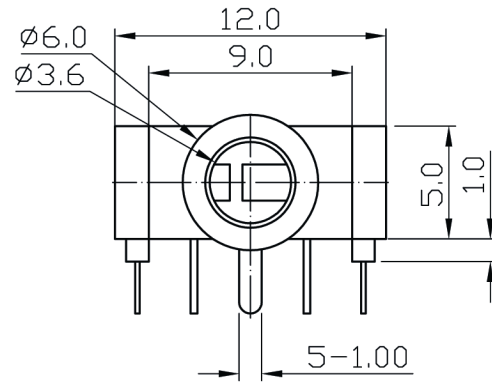
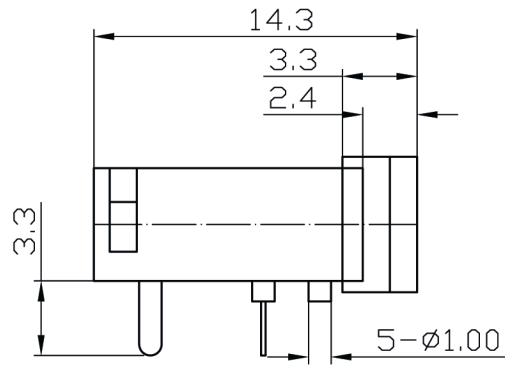


SYMBOL	REVISION	APPROVAL	DATE
New Drawing	A	SW.Wu	2007.11.25



(BOTTOM VIEW)  
P.C.B. LAYOUT

SCHEMATIC	
MODEL NO	ST-5000-01

**RoHS COMPLIANT**  
EU Directive 2002/95/EC

ITEM	NAME	MATERIAL	FINISH	SUM
7	Housing	POM	Black	1
6	Bushing	Brass	Au Plated	1
2	Tip Terminal	SUS	Au Plated	1
10	TS Terminal	Brass Strip	Au Plated	1
11	RS Terminal	Brass Strip	Au Plated	1
3	Ring Terminal	SUS	Au Plated	1
1	Sleeve Terminal	PBS STRIP	Au Plated	1

SAMLUNG INDUSTRIAL LTD.					
TOLERANCES		Model Name: STEREO JACK			
X.	± 0.5	Model No: ST-5000-01			
X.X	± 0.3	FILE:RD08/NEW/PRODUCT/ST/ST-5000-01			
X.XX	± 0.15	SCALE: Full	DATE:	2007-11-25	
ANGLE: ±3°			DRAW	CHECK	APPROVE
UNIT MM			JC.Liu	SM.Lin	SW.Wu
REVISION: A	DWG NO: 2008-PD-0032	Design:			