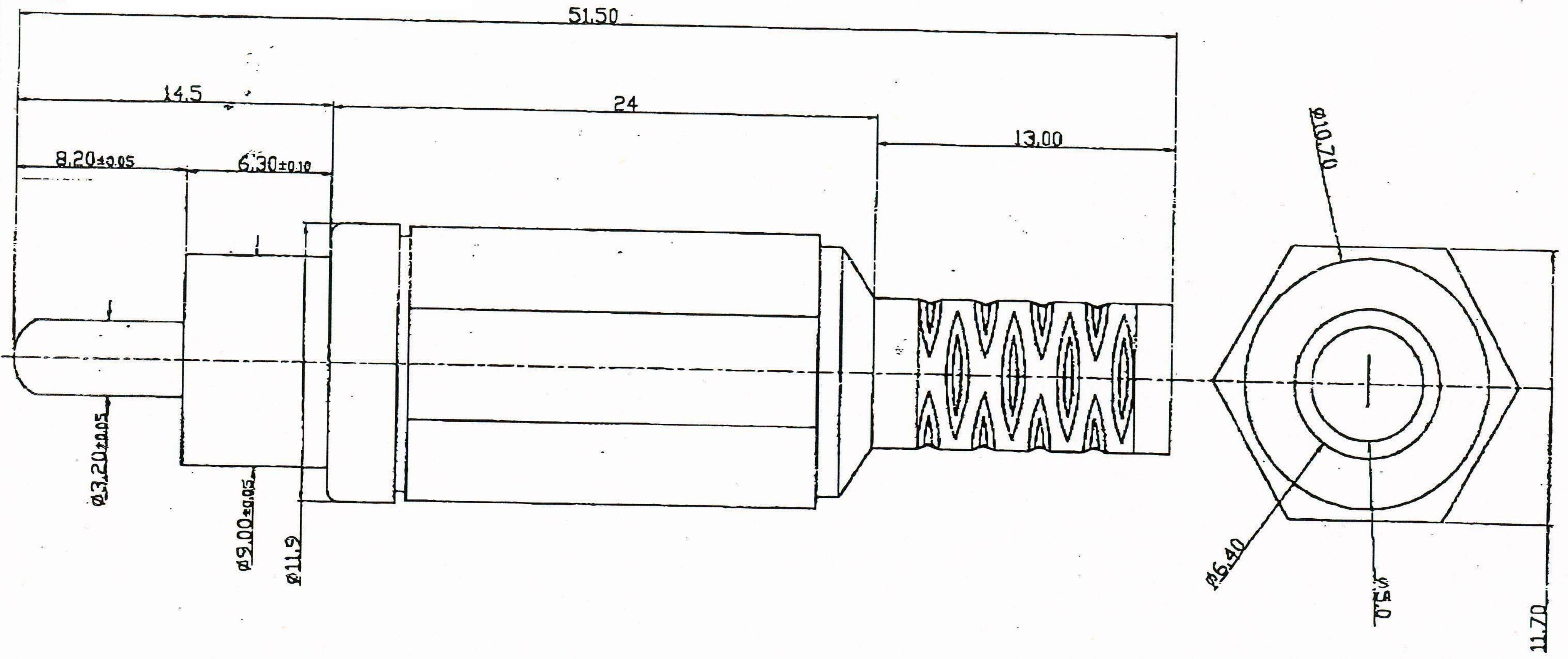


K312A



DRAW		UNIT	mm	SCALE	4:1	DATE	90,3,21	DRAW NO.	K312A	TOLERANCE	MATERIAL	
CHECK								TITLE		<30	±0.20	Cu
APPROVAL										<20	±0.10	REMARKS
										<10	±0.05	



0.5 - 11