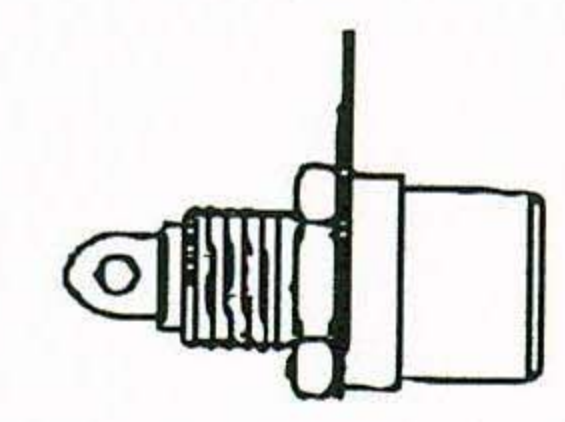
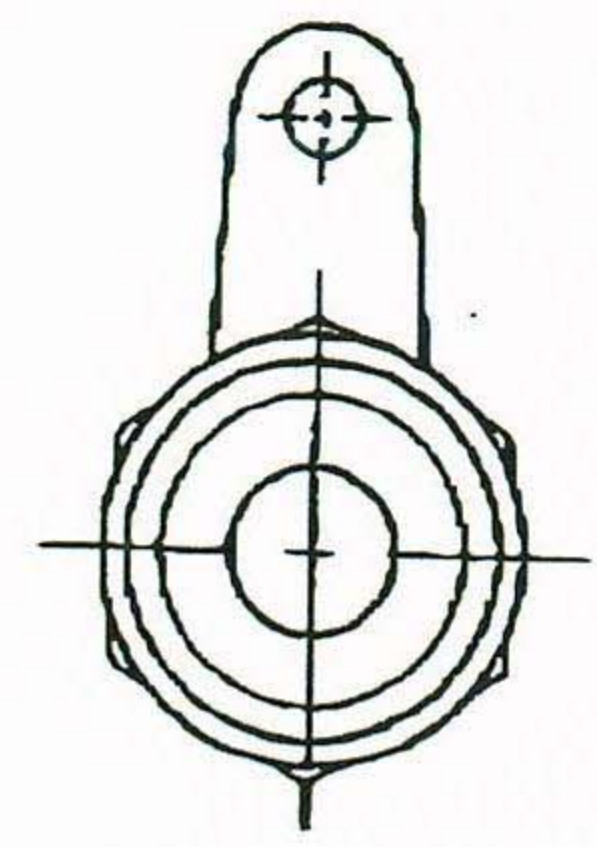
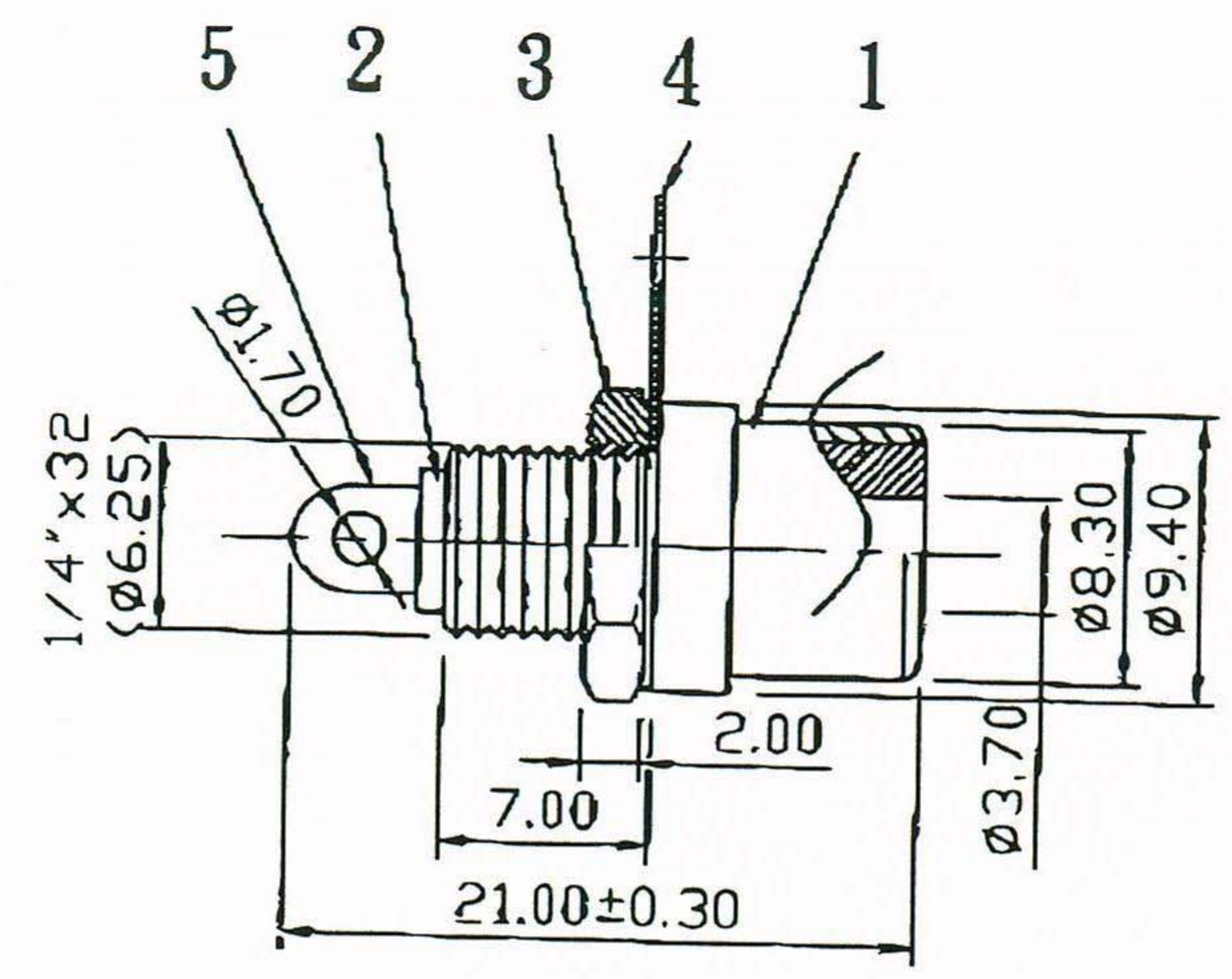
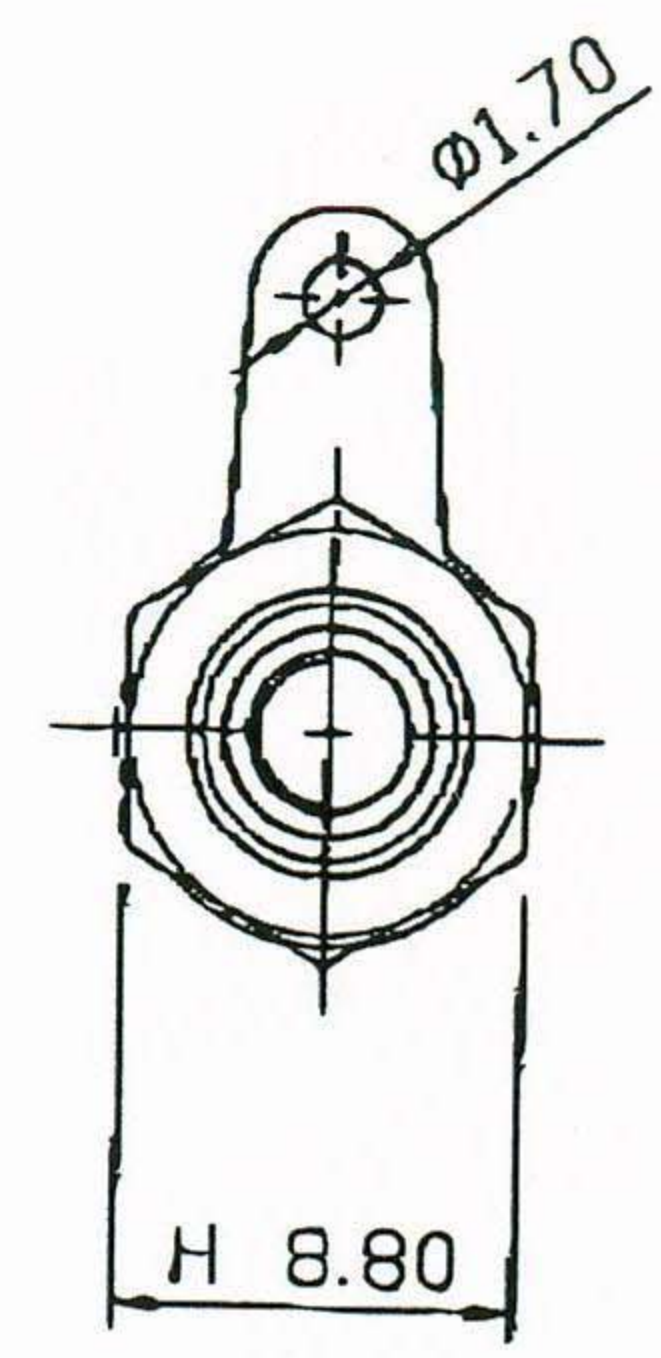


K365

The tolerance without marking are all $\pm 0.25\text{mm}$



S1:1

COMPONENTS LIST

| NO. | Description | Unit | Materials | Finish | Drawing No. |
|-----|-------------|------|-----------|--------------------------------------|-------------|
| 1 | body | 1 | brass | nickel | |
| 2 | insulator | 1 | POM | black/green/red/yellow/white(nature) | |
| 3 | hexagon nut | 1 | brass | nickel | |
| 4 | solder tab | 1 | bronze | nickel | |
| 5 | PIN | 1 | brass | nickel | |

| | | | | | |
|------------------|------------|----------------|--------------|---------------------------|---------------------------|
| 校對 Check | 工程師 許智華 | 核准 Approved | 業務經理 吳豐廷 | JPR electronics | |
| 繪圖 Drawing By | Tina | | 2005. 11. 21 | 圖名 TITLE | RCA JACK K365 |
| SCALE | 2:1 | UNIT | MM | 型號 PART NO. | K365 -POM(BE/GN/RD/YW/WE) |
| | | | | 圖號 DRAWING NO. | 05112102-3 |