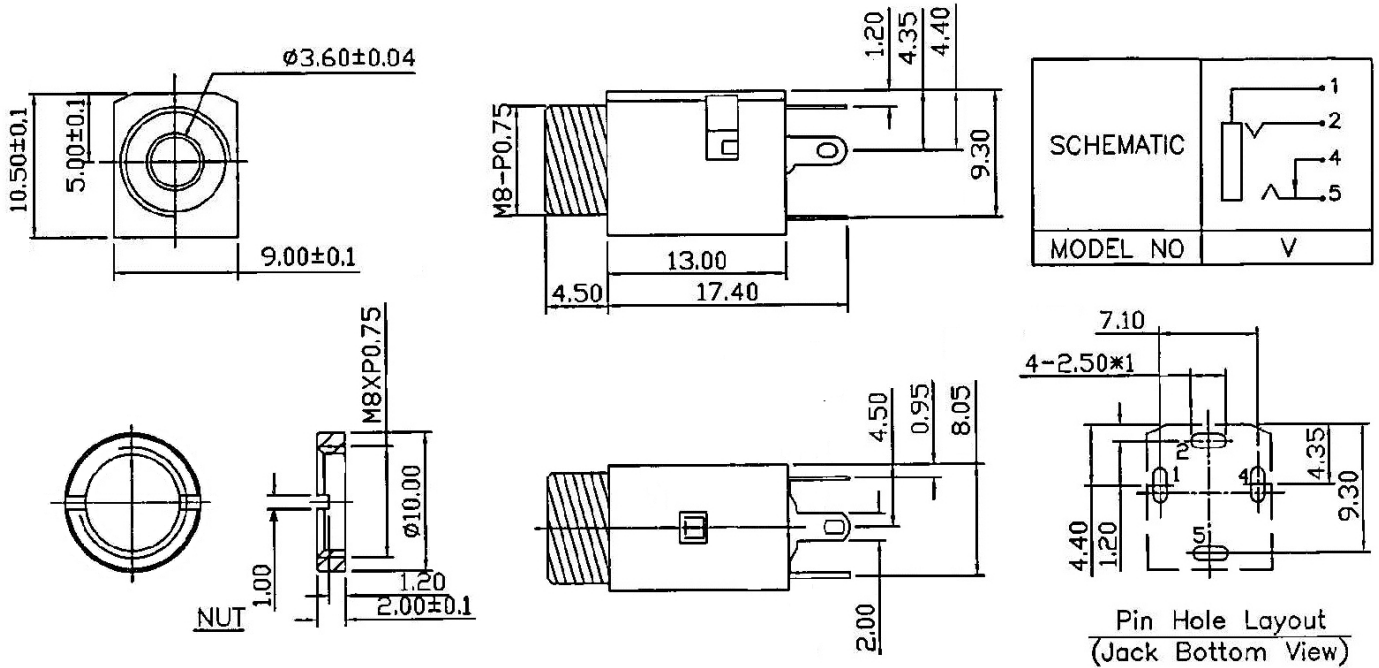




3.5mm VERTICAL JACK SOCKET



Part No. **FC681374V**



Specification

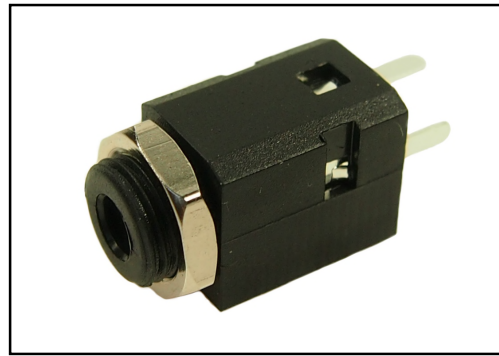
Contact Resistance: 30mΩ max.
 Insulation Resistance: 100MΩ min. at DC 500V
 Dielectric Withstand Voltage: AC 500V for 1 minute

CLIFF

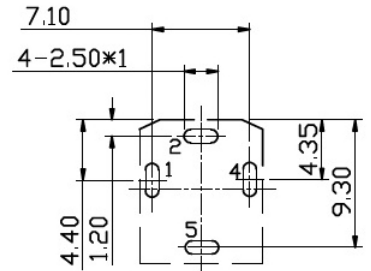
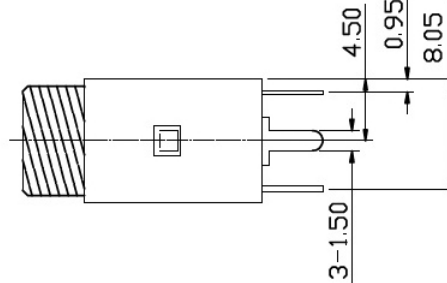
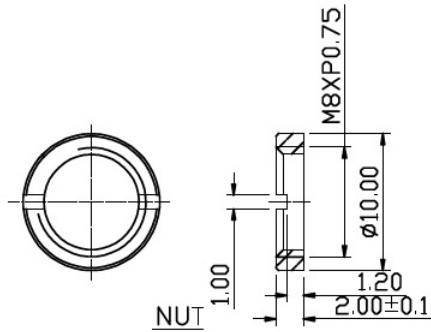
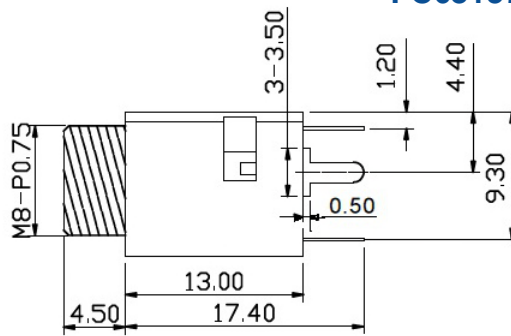
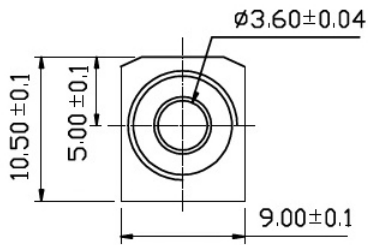
3.5mm VERTICAL JACK SOCKET



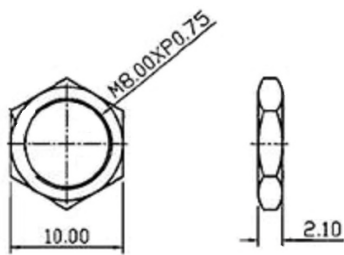
FC681375V



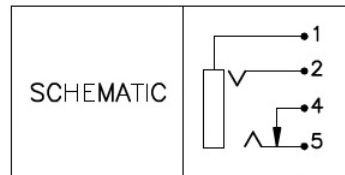
FC681375VH



Pin Hole Layout
(Jack Bottom View)



HEX NUT



Specification

Contact Resistance: 30mΩ max.

Insulation Resistance: 100MΩ min. at DC 500V

Dielectric Withstand Voltage: AC 500V for 1 minute