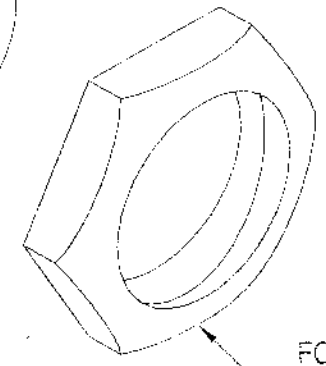
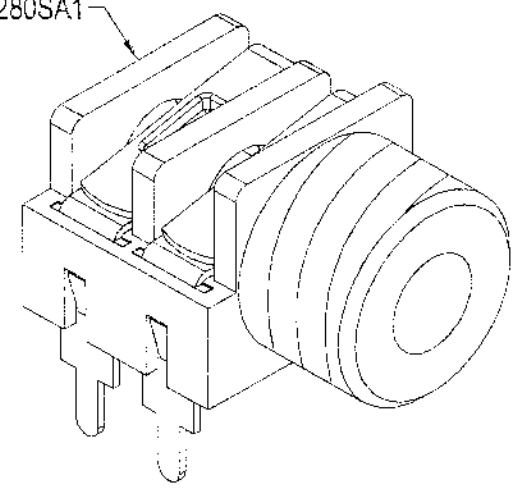
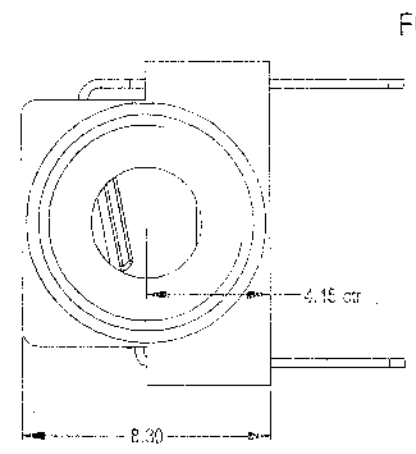
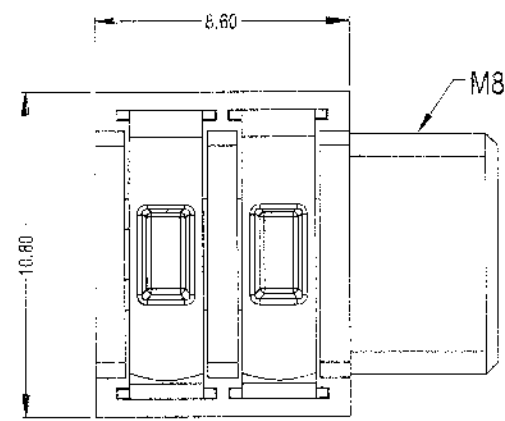
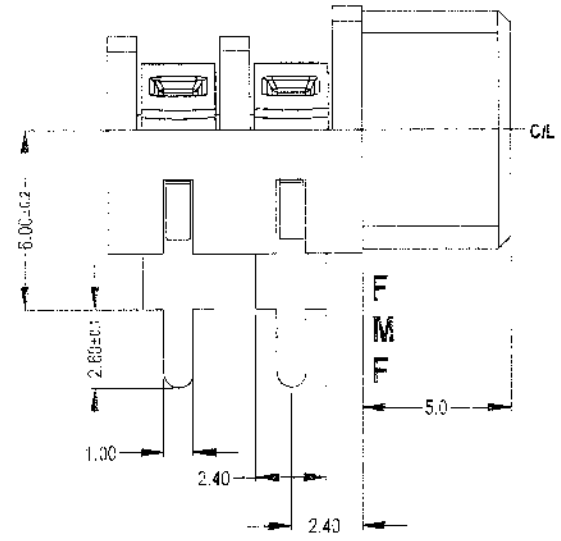


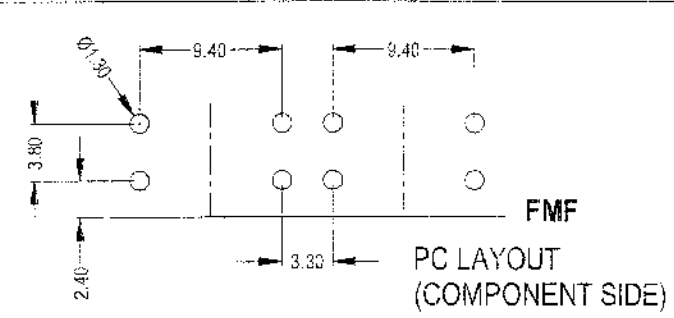
ISS	AMEND	DATE
	ISSUED	30/07/03



FCR1434
BULK PACKED



CONTACTS	FRONT	REAR
MOVING	FCR1280SA3	FCR1280SA3
FIXED	FCR1280SA2	FCR1280SA2



RoHS
COMPLIANT

TOLERANCE
 NO DEC. PLACE ±
 1 DEC. PLACE ±
 2 DEC. PLACE ±
 HOLE DIA. ±
 ANGLES ±
 UNLESS OTHERWISE STATED

DIMENSIONS IN MILLIMETERS UNLESS OTHERWISE STATED. WORK TO DIMENSIONS. DO NOT SCALE DRAWING. 3rd ANGLE PROJECTION. REMOVE ALL BURRS. IF IN DOUBT ASK.

WHERE USED F.R.
SCALE N.T.S

Cliff Electronic Components Ltd.
 78 Elmbridge Ave., Holmehorpe Ind. Estate
 Redhill, Surrey RH1 2PF, England
 Tel: 01737-771375 Fax: 01737-766012

MATERIAL COMPOSITE
 FINISH CLEAN
 DRAWN T.S
 APPD. DFJ

TITLE S6C-A/BB/WN - JACKSOCKET (6.0)
 DRWG. No. **FCR1281**

FORM A/DRAWING