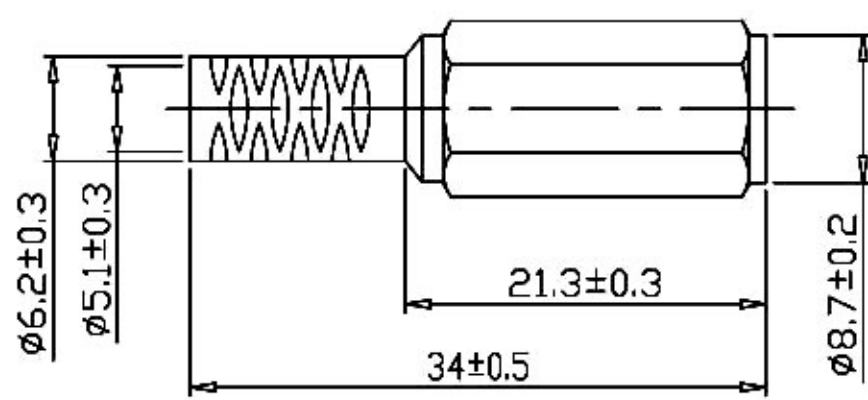
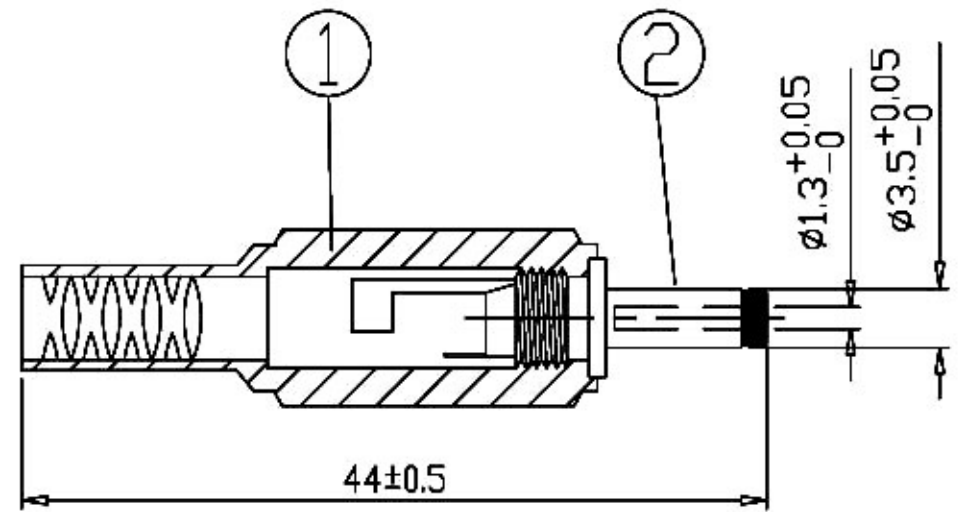
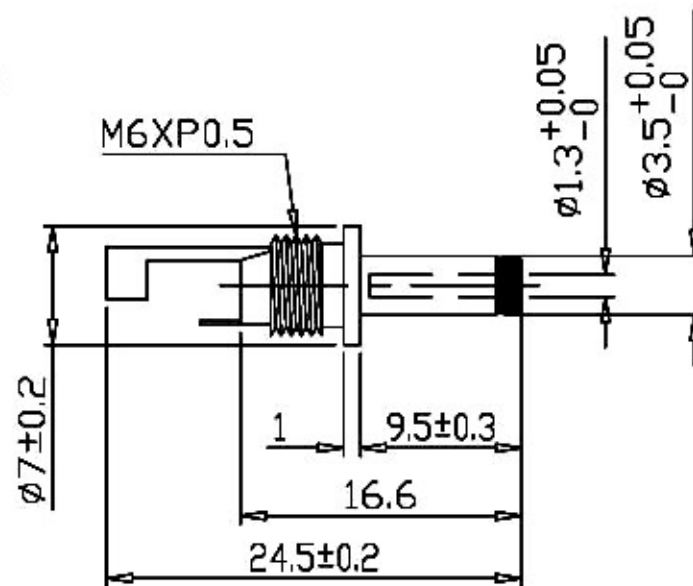


①



②



1.3X3.5X9.5(8)

ITEM

K311Y

UNIT

mm

SCALE

2 : 1

DATE

91/07/15

DRAWER