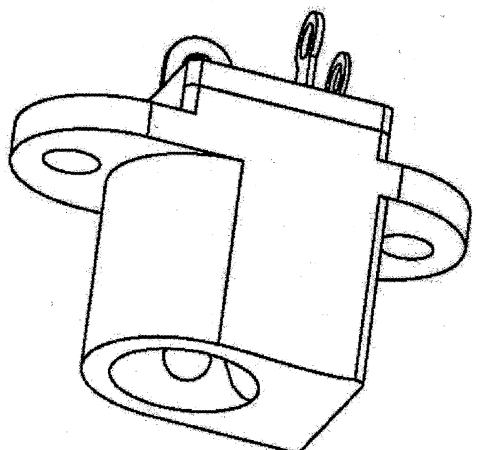
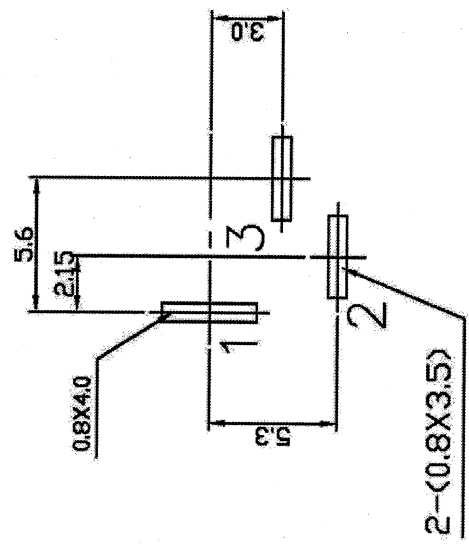
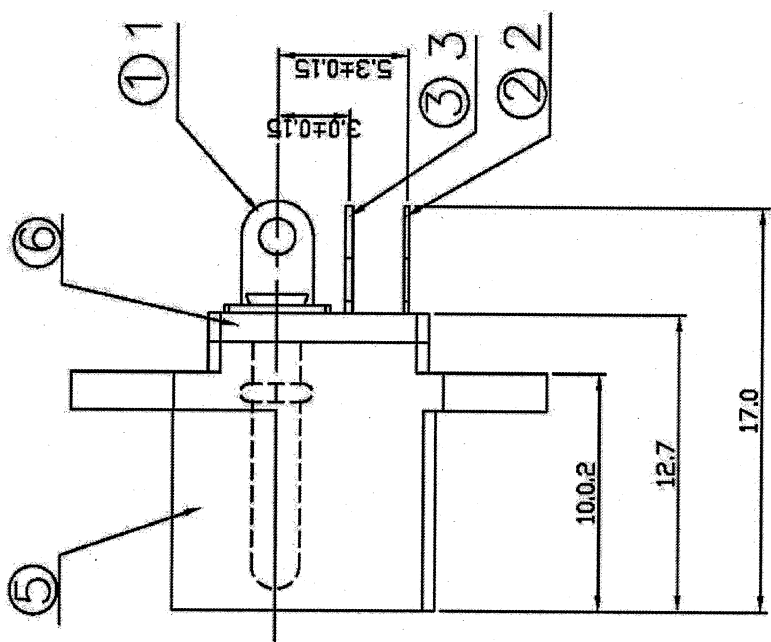
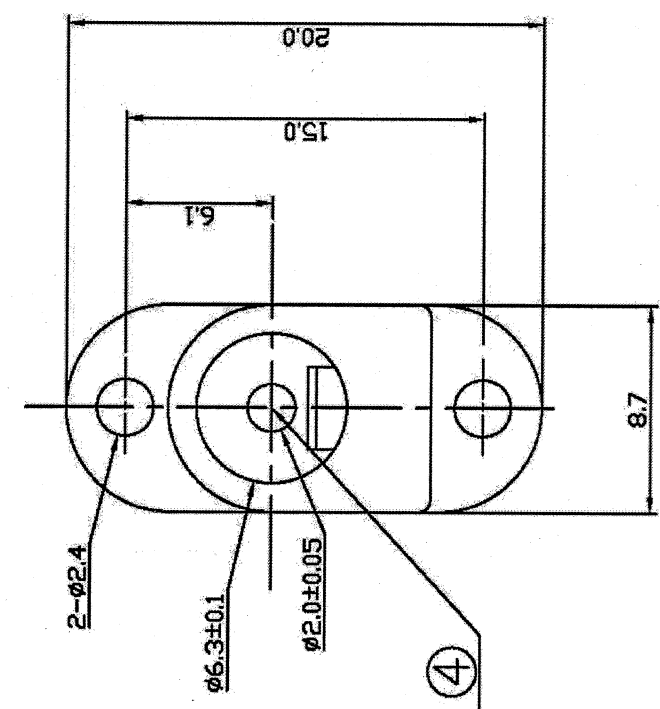
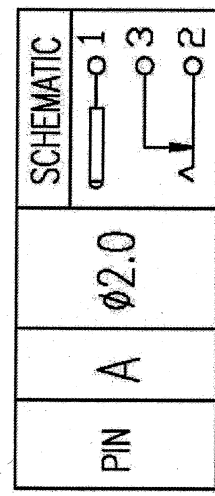


* REVISIONS		REVISIONS	APPROVED
LTR	DESCRIPTION	DATE	



T:1.6 Dimensions of PC board holes  
Tolerance : ±0.05(Printed-top view)

LEAD FREE



LTR	PART NAME	QTY	MATERIAL	REMARK
6	COVER	1	PF	
5	HOUSING	1	PBT 4815	UL-94V0(BLACK)
4	PIN	1	C2680	Cu/Sn PLATED
3	TERMINAL	1	C2680	Sn PLATED
2	TERMINAL	1	SUS 301	Sn PLATED
1	TERMINAL	1	C2680	Sn PLATED

DWN	ANJOU	DATE	3RD ANGLE PROJECTION	NAME
		2013.05.07		DC POWER JACK
CHKD	ANJOU	DATE	UNIT: mm	CAT. NO.
		2013.05.07		K374A
APVD	ELVIS	DATE		DWN.NO.
		2013.05.07		XL-020-10

UNLESS OTHERWISE SPECIFIED, TOLERANCE ON DECIMAL: ±0.3