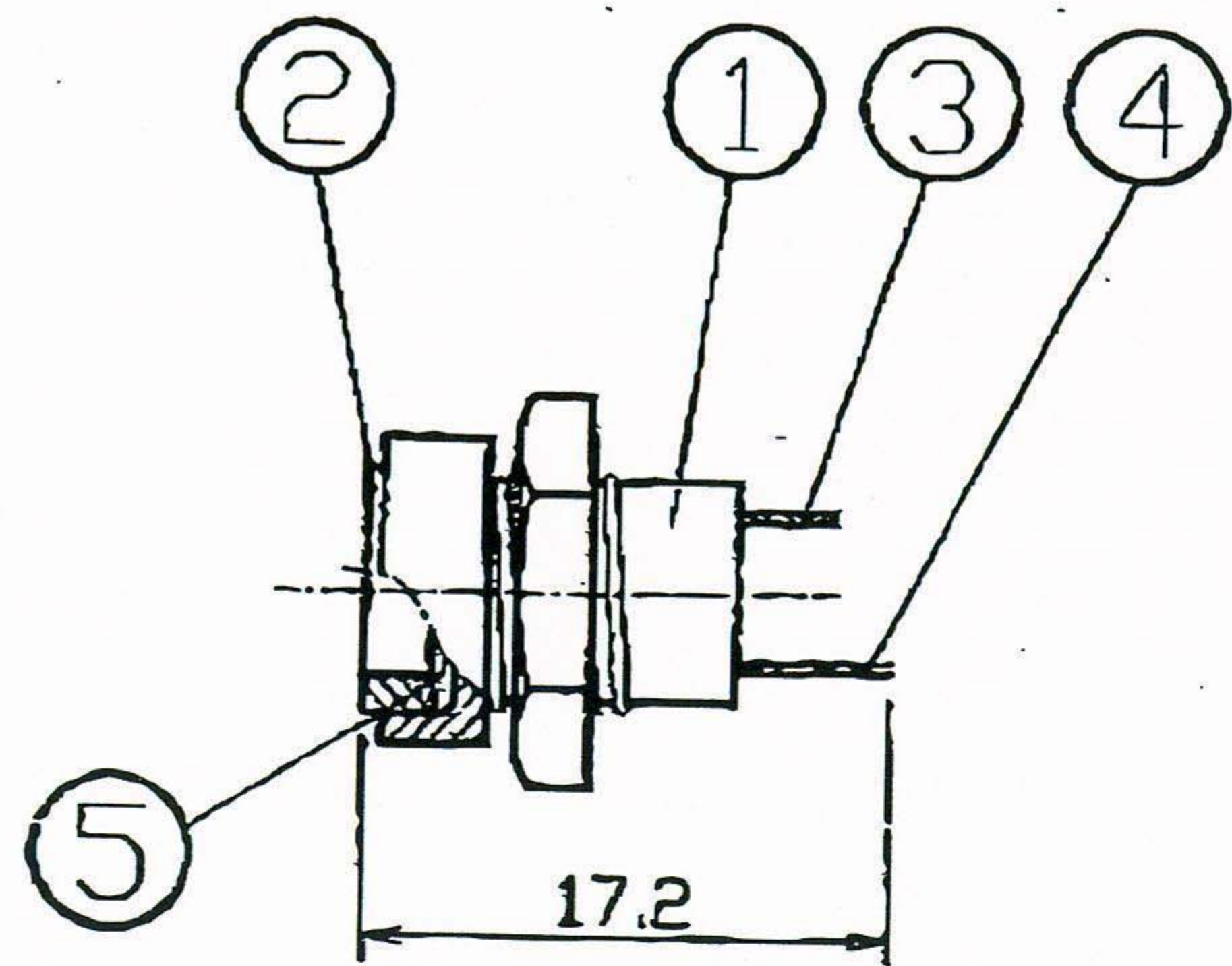


C	2.1m/mx5.5
D	2.5m/mx5.5



5	彈簧	鋼	1
4	接觸片	青銅	1
3	中心PIN	青銅鍍鎳	1
2	銅圈	青銅鍍鎳	1
1	本體	耐龍	1
ITEM NO.	DESCRIPTION	MATERIAL	QUANTITY



CONTENTS		RELEVANT DOCUMENTS		MATERIAL	MODEL NO.	TITLE
				UNIT	KIND NO.	DRAWING NO.
				SCALE	SPECIFICATION	PAGE
				2 : 1		HD-2388