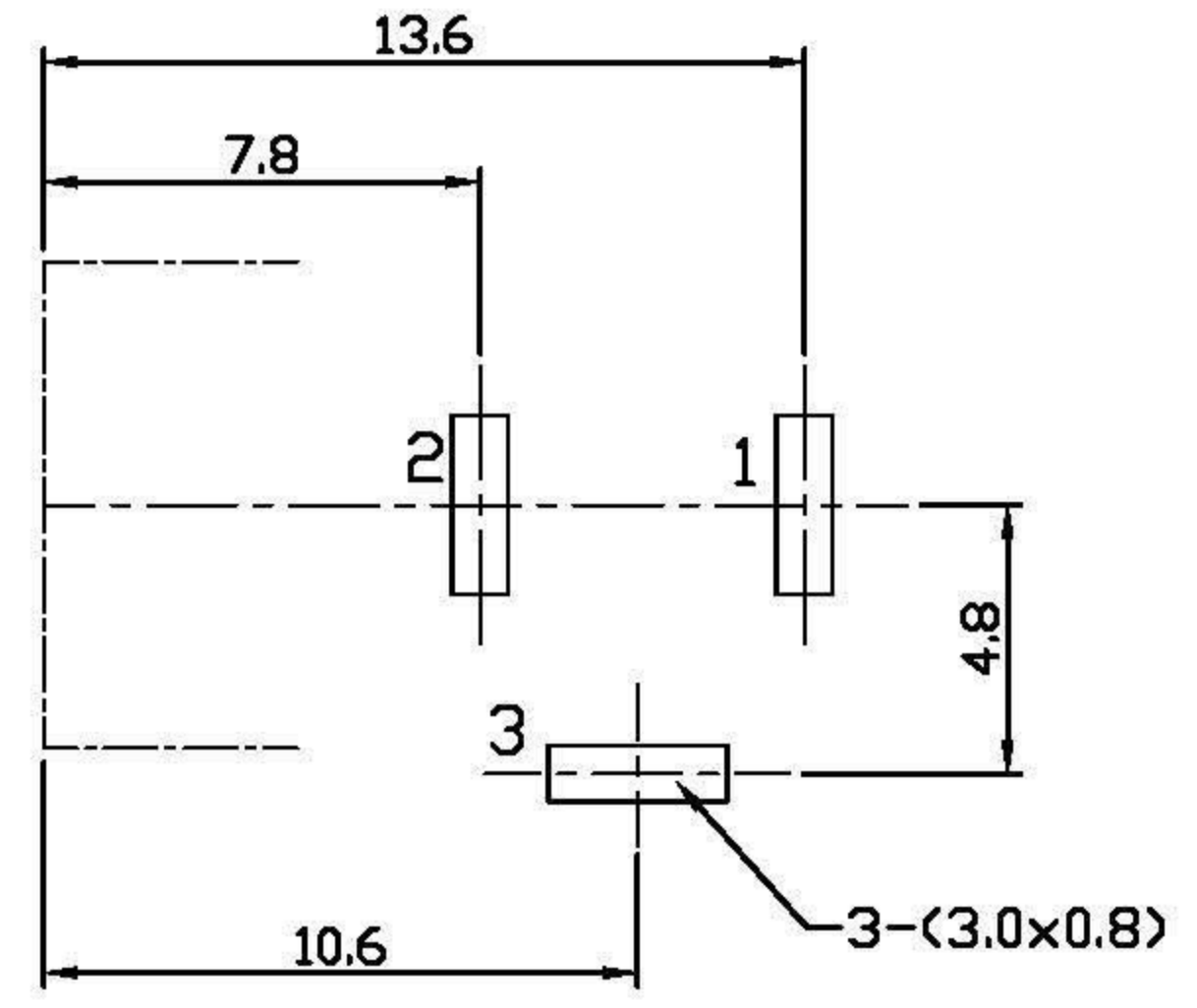
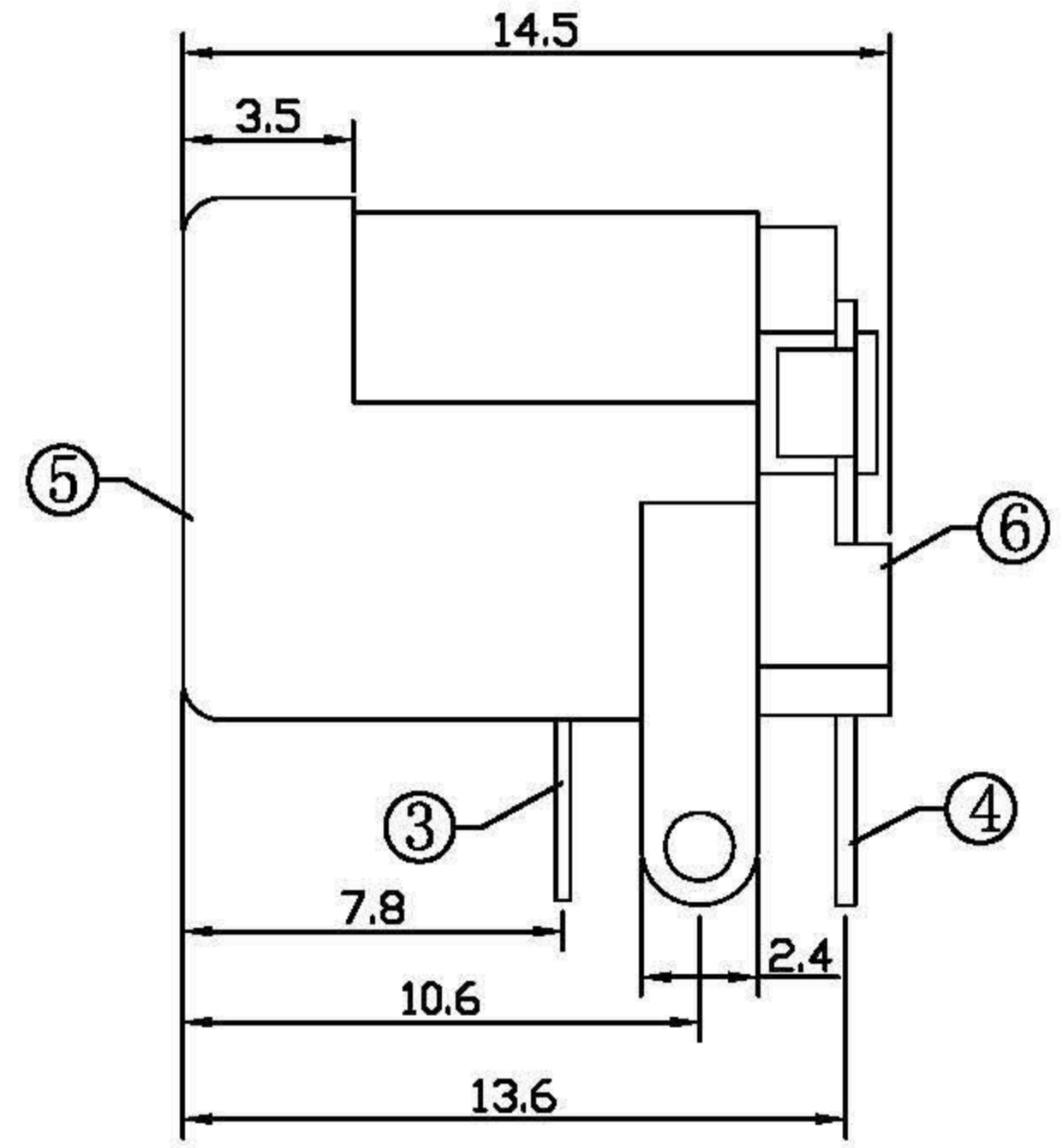
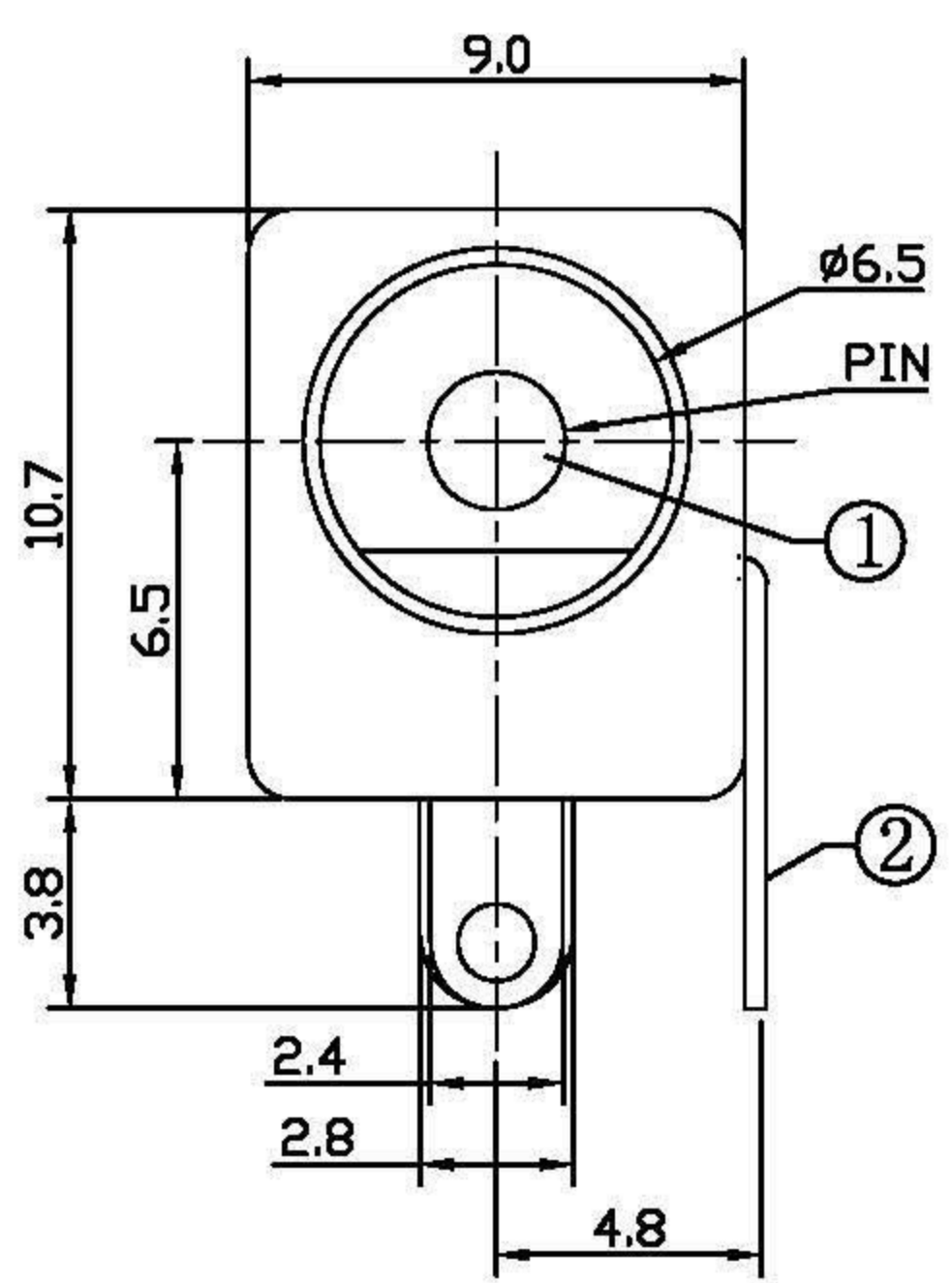


* REVISIONS				
LTR	DESCRIPTION	DATE	REVISED	APPROVED



T:1.6 Dimensions of PC board holes
Tolerance : ±0.05(Printed-top view)

CAT. NO.	PIN	SCHEMATIC
K375A	∅2.0	

LEAD FREE

6	COVER	1	PBT 4815	UL-94V0(BLACK)
5	HOUSING	1	PBT 4815	UL-94V0(BLACK)
4	FLAT PIECE	1	C2680 t=0.4	Sn PLATED
3	SPRING	1	C5191 t=0.3	Sn PLATED
2	CURVE PIECE	1	C2680 t=0.4	Sn PLATED
1	PIN	1	H59(COPPER ALLOY)	Ni PLATED

LTR	PART NAME	QTY	MATERIAL	REMARK
DWN	JON	DATE	2013.05.31	3RD ANGLE PROJECTION NAME DC POWER JACK CAT. NO. K375A DWN.NO. BJ-020-04 001
CHKD	JON	DATE	2013.05.31	
APVD	ELVIS	DATE	2013.05.31	
UNIT: mm				
JPR 705-630				

UNLESS OTHERWISE SPECIFIED, TOLERANCE ON DECIMAL: ±0.3