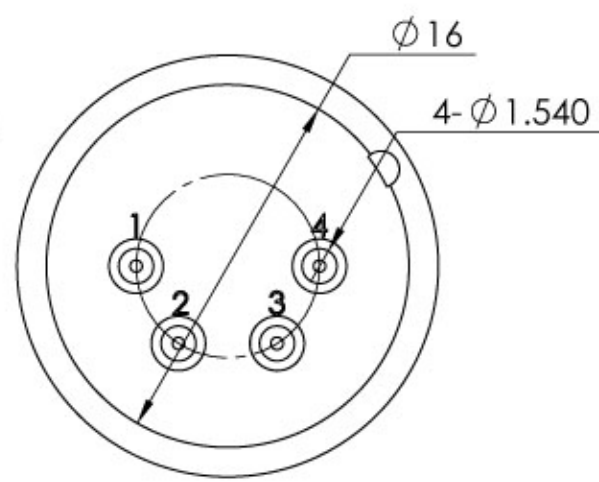
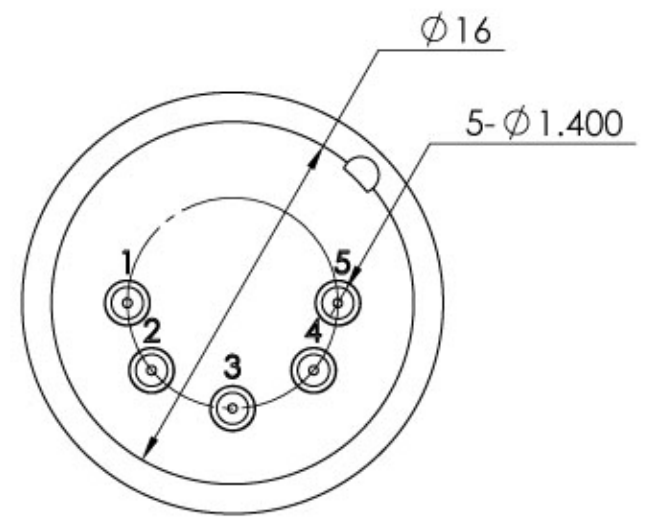


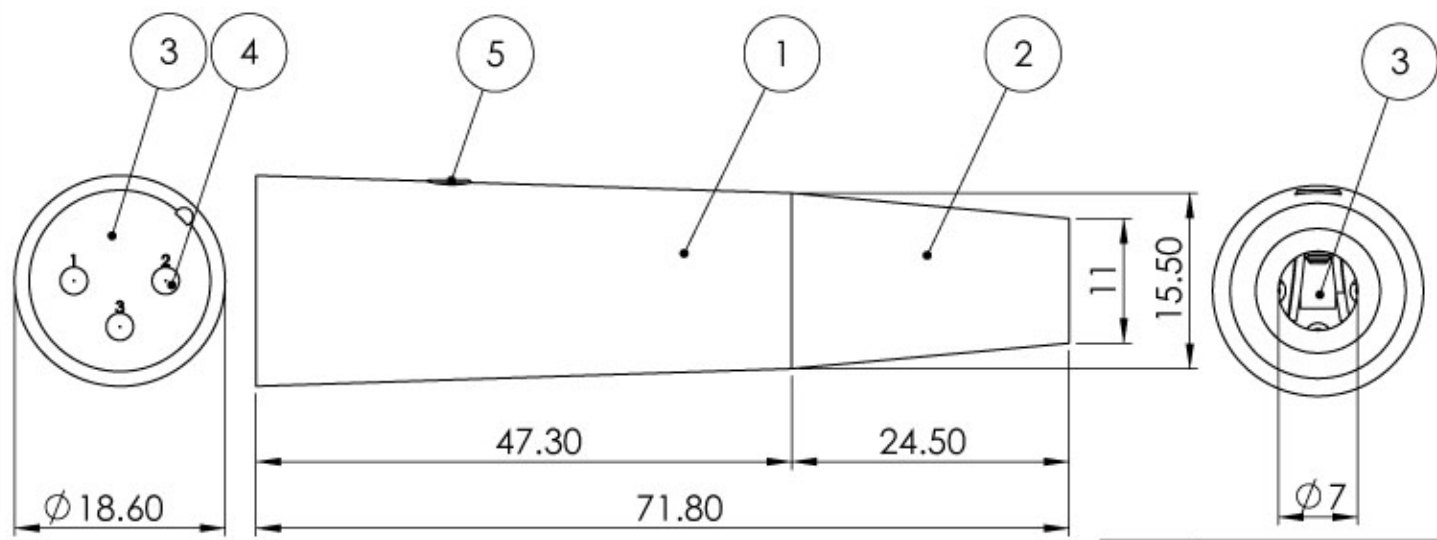
3P



4P



5P



Serial Numbers	Part Name	Material	Electro Plated
1	Housing	zinc alloy	Nickel
2	SR	PVC	
3	Inner Tube	Nylon	
4	PIN	Brass	Silver
5	Screw	M2XL6	Nickel

Item#	<b>M5906</b>			Part#		Sheet	1/1							
Title	<b>Microphone Plug</b>			Part		Unit	m/m							
Mat'l		Finish	Polished		Ratio	1:1.5								
Modify	Date	Description	Serial No.	0	Auth	Teresa	CHK	Teresa	DWG	Cedric	Date	2011.09.26	Tol	±0.30