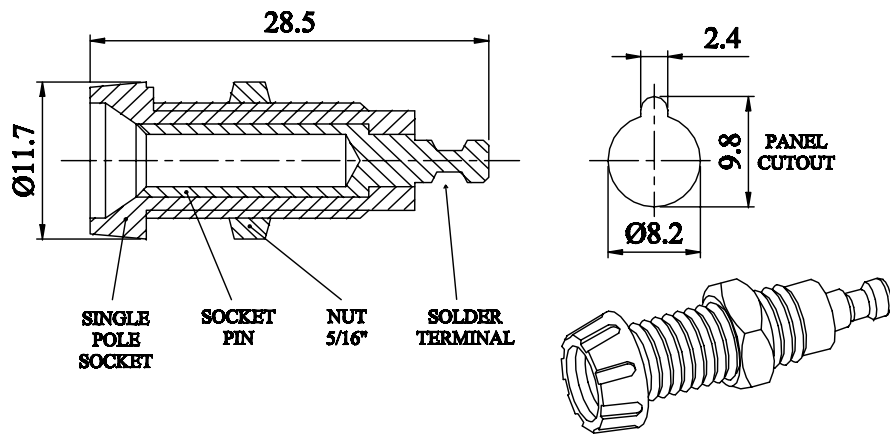


Rigid panel mounting socket retained in place by a nut, which accepts 4mm diameter plugs. Is suitable for panels up to 13,5mm thick. Connection is via a solder tag, although a solder bucket version is available.

MATERIAL : Polypropylene
 SINGLE POLE SOCKET : Brass, BS2874
 SOCKET PIN CZ121M silver plated
 NUT : Brass, BS2874 nickel plated

Rating : 10 Amps
 Nominal Working Voltage : 250 Volts R.M.S.
 Absolute Max. Rating : 1500 Volts D.C.
 Contact Resistance : less than 10 milli-ohms

Dimensions



COLOUR	ORDER CODE
BLACK	551-0100
BLUE	551-0200
BROWN	551-0300
GREEN	551-0400
RED	551-0500
WHITE	551-0600
YELLOW	551-0700

CONVERTED FROM PS0766 ISS2 (12.06.95) IN JAN 2003

DrgNo 551 SERIES		TITLE PANEL MOUNTING SOCKET			ALL DIMENSIONS IN MM ANGLES IN DECIMAL DEGREES	
ISSUE	3	GENERAL SPECIFICATION FOR 551 SERIES		CUSTOMER FILTER REF		
		Aprvd Date 04/09/07	Aprvd By MC	Drwn by BS	Scale: NTS	Sheet 1 / 1