

5mm Pitch Double Decker Rising Clamp Terminal

Features

- 4 & 6 pole double interlocking mechanism for increased strength
- Double decker
- Moulded in green UL94-V0 flame retardant PA66
- Professional rising clamp terminals
- 4mm² cable entry
- cUL, UL, CE, & CE approved
- Guided pin alignment



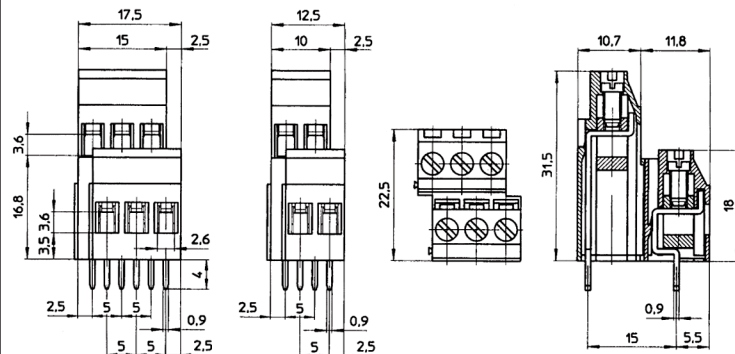
CTBDDVG

Type No.	Poles	Length
CTBDDVG/2	4	12.5mm
CTBDDVG/3	6	17.5mm

Specification

Rating	24A/380V, UL=16A, CUL=16A, IMQ=24A, VDE=24A
Dielectric strength	≥2.5kV
Insulation resistance	≥5MΩ
Working temperature	-20°C to 125°C
Short period	160°C
Moulding	UL94-V0 flame retardant PA66

CTBDDVG series



Pin/terminal	5μ tinned, nickel plated brass
Rising clamp	5μ nickel plated brass
Screw/torque	M3 steel, 6μ zinc colour passivated and tropicalised/0.5Nm
Recommended PCB hole size	ø1.3mm