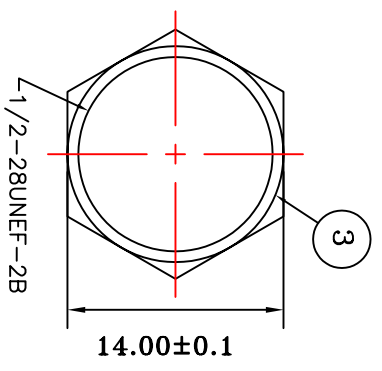
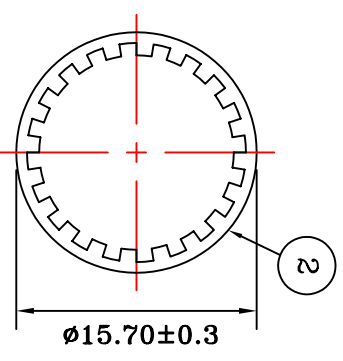


PCB HOLE CONFIGURATION PANEL CUTOFF

- NOTES:**
1. NOMINAL IMPEDANCE: 50 OHMS.
 2. FREQUENCY RANGE: 0 - 4 GHz.
 3. MAX PEAK VOLTAGE: 500V.
 4. INSULATION RESISTANCE: 5000 MEGOHMS MIN.
 5. DIELECTRIC WITHSTANDING VOLTAGE: 1500 VOLTS RMS.

ORDER NO.	BRAND
3106-000A	NONE
3106-100A	IO

ITEM	DESCRIPTION	MATERIAL	FINISHED	PART NUMBER	QTY
1	NUT	BRASS	NICKEL	073000-109	1
2	LOCK WASHER	SK-5	NICKEL	083000-509	1
3	GROUNDING POST	Cu COVERED STEEL	TIN		1
1	CONTACT	BRASS	TIN		
	DIELECTRIC	P.P	GOLD & TIN	3106-***A1	1
	DIELECTRIC	P.P	NONE		
	BODY	ZINC ALLOY	NICKEL		
			FINISHED		



REV.	DESCRIPTION	ECN	DRAWN	DATE	TOLERANCES:	CHECKED:	APPROVAL:	LAYER:	REV.	P/No.:	
E	SEE ECN.	01-064	TINA	02-20/2001	Dim. XX=±0.3	DESIGNED:	DRAWN:	SHEET:	SCALE:	INPUT OUTPUT	
D	SEE ECN.	99-127	TINA	04/06/99	UNIT: mm	08.29.95	08.29.95	1 OF 1	2=1		
C	SEE ECN.	98-399	ANGELA	12/22/98							
								ASY	E		
											S-3106-***A
REVISIONS					REMARKS:		TITLE:		BNC R/A JACK PCB RECEPTACLE		

