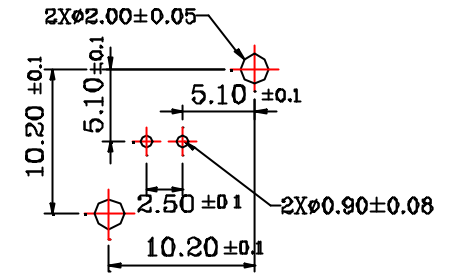
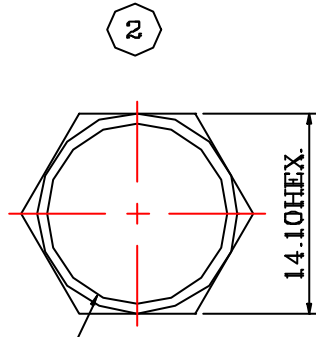
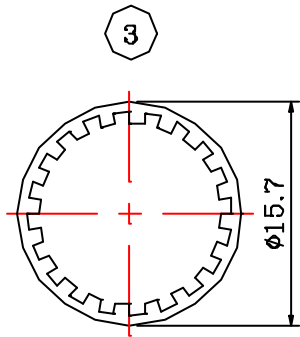


Recommended Panel Hole



Recommended PCB Hole



1/2-28UNEF-2B

ORDER No.	BRAND/COLOR
3108-010A	NONE/WHITE
3108-110A	IO /WHITE
3108-020A	NONE/BLACK
3108-120A	IO /BLACK

3	WASHER	SK-5	NICKEL	080001-1	1
2	NUT	BRASS	NICKEL	070001-1	1
1	CONTACT	P.BRONZE	GOLD+TIN	3108-***A1	1
	GND	Cu COVERED STEEL	TIN		1
	INSULATOR	P.P UL 94HB	NONE		1
	BODY	ZINC ALLOY	NICKEL		1
	HOUSING	P.B.T.+30%GF	NONE		1
	POST	BRASS	TIN		2
ITEM	DESCRIPTION	MATERIALS	FINISHED	PART NUMBER	Q'TY

ELECTRICAL PERFORMANCE:

- 1.Nominal Impedance : 50 ohms.
- 2.Frequency Range : 0 ~ 4 GHz.
- 3.Working Voltage : 500 V
- 4.Insulator Resistance 5000 Megohms minimum.
- 5.Dielectric Withstanding Voltage : 1500 Volts Rms.

REV.	DESCRIPTION	ECN	DRAWN	DATE	REMARKS.	TOLERANCES. DIM. XX-±0.3 UNIT: mm XX-±0.16	TITLE: BNC STRAIGHT JACK PCB RECEPTACLE	DESIGNED: LIN YI FUN 09-05/98	DRAWN: ALLEN 05-04/98	CHECKED:	APPROVAL:	SHEET: 1 OF 1	SCALE: 2:1	DWG NO.: 3108	LAYER: ASY	REV. H	P/No : S-3108-***A
H	SEE ECN	99-432	TINA	01-26'2000													
G	SEE ECN	98-322	ANGELA	11-06/98													
F	CHANGE DIMENSION	98-118	ALLEN	05-04/98													
REVISIONS																	

