

Specifications

Voltage Rating: 250V AC/DC

Current Rating: 7A AC/DC

Contact Resistance: 20mΩmax.

Withstanding Voltage: 1500V AC/minute.

Insulation Resistance: 1000MΩ min.

Temperature Range: -25°C~+85°C

Material

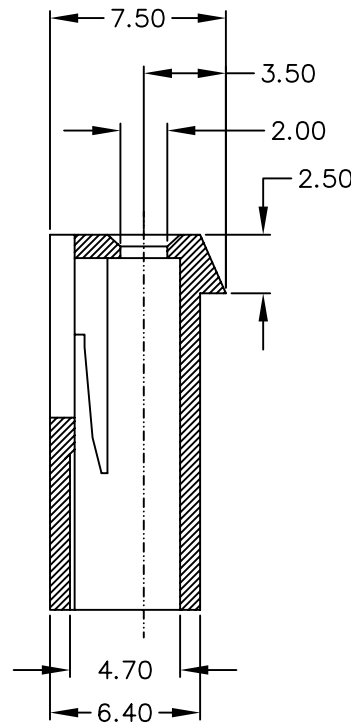
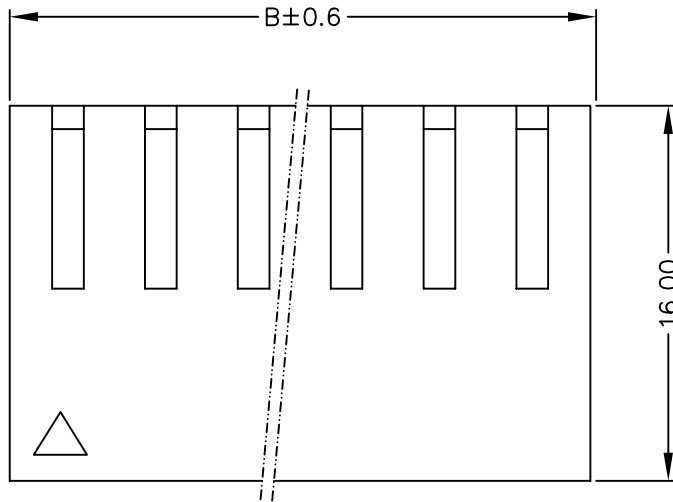
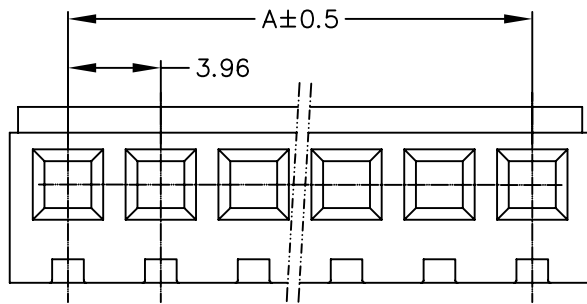
Circuits: 2~14

Insulator: Nylon 66 UL 94V-2

731-7 5-xx W 008  
 1 2 3 4 5

- 1. 5: Normal parts
- 7: Green Product
- 9: Green Product High Temp
- 2. 5: 3961H
- 3. No. of contacts per row
- 4. S: Crystal insulator
- W: Nature Color Insulator
- 5. Pinrex internal code.

Poles	A	B
2	3.96	8.92
3	7.92	12.88
4	11.88	16.84
5	15.84	20.80
6	19.80	24.76
7	23.76	28.72
8	27.72	32.68
9	31.68	36.64
10	35.64	40.60
11	39.60	44.56
12	43.56	48.52
13	47.52	52.48
14	51.48	56.44



REV.	DESCRIPTION	DATE
A	RELEASE	2006/04/15

TOLERANCE

.0	=±.30
.00	=±.20
.000	=±.XXX
.0000±.	
ANG.=±3'	

UNITS : mm

SCALE	SIZE
NONE	A4

OLD PART NO.	
DRAWER	CHECK
Bindy	
SHEET	REV.
1 OF 1	A
APP'D	

TITLE	MOLEX 3.96mm HOUSING AND TERMINAL
NEW PART NO.	731-75-xxW008

**P** 頻銳科技股份有限公司  
 PINREX TECHNOLOGY CORP.  
 DRAW NO. 731-75-xxW008