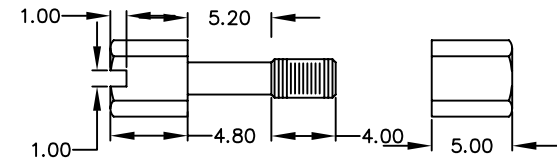
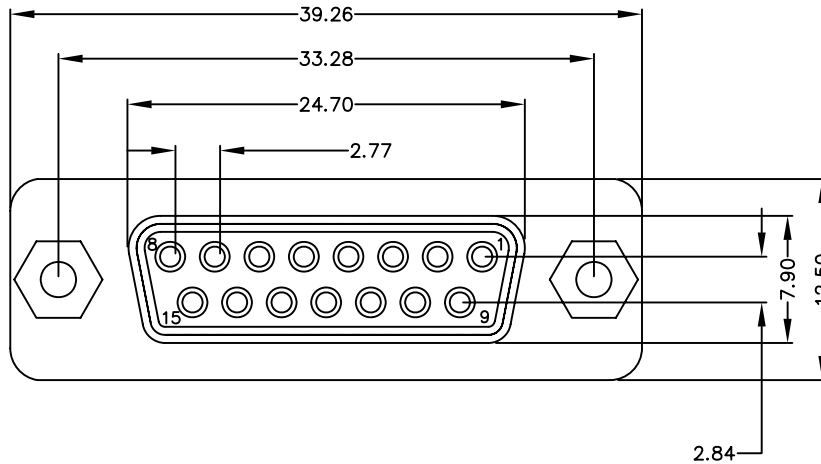
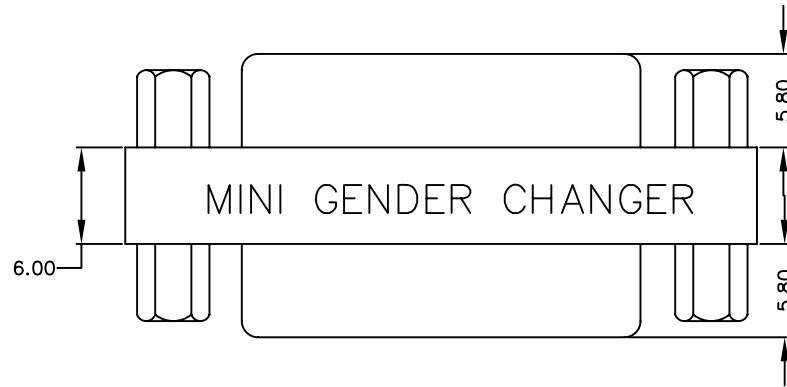
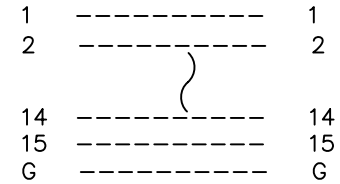


UNC #4-40 Hexscrew UNC #4-40 Hexnut



DGC 15 F/F GENDER CHANGER

PIN OUT: 15Female 15Female



993- 8 3 - 1M 11 2 1
1 2 3 4 5

- 1. 3: Tray
- 2. 1M: Mini gender changer
- 3. 11: 15P to 15P
- 4. 2: Metal Female to Female
- 5. Pinrex internal code.

		TOLERANCE		 UNITS : mm		OLD PART NO. MDBGC-15F/15F		TITLE	
		.00 =±.25		SCALE		DRAWER		CHECK	
		.000 =±.XXX		NONE		Age			
A		2009/09/10		SIZE		SHEET		NEW PART NO.	
REV.		DATE		A4		1 OF 1		993-83-1M1121	
DESCRIPTION				ANG.=±X'		REV. A		APP'D	
								DRAW NO.	
								993-83-1M1121	

頻銳科技股份有限公司
 PINREX TECHNOLOGY CORP.