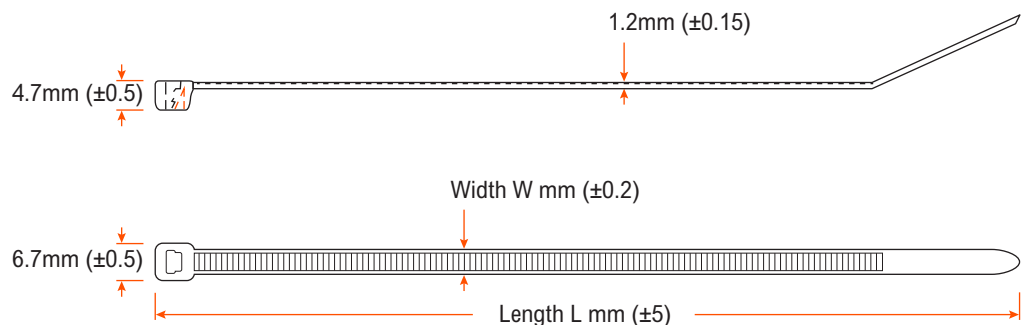
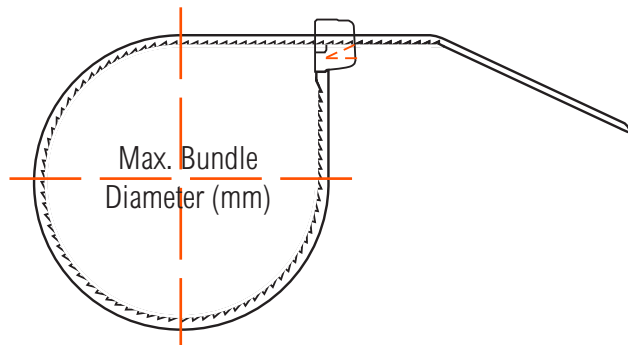


Coloured Cable Ties

Intermediate Range



• Material:	UL approved Nylon 66, 94V-2. High tensile strength with low insertion force. Excellent resistance to weathering and ageing.
• Feature:	Suitable for a multitude of uses in various industries.
• Application:	Self-locking for fast and easy application.
• Operating Temperature:	-40°C to +85°C.



See product technical table
on next page

Coloured Cable Ties

Intermediate Range

Item No.	Colour	Width W (mm)	Length L (mm)	Max. Bundle Diameter (mm)	Min. Tensile Strength (kg)
CT2-BLUE	Blue	3.6	150	36	18
CT2-BROWN	Brown	3.6	150	36	18
CT2-GREEN	Green	3.6	150	36	18
CT2-ORANGE	Orange	3.6	150	36	18
CT2-PURPLE	Purple	3.6	150	36	18
CT2-RED	Red	3.6	150	36	18
CT2-SILVER	Silver	3.6	150	36	18
CT2-YELLOW	Yellow	3.6	150	36	18
CT7-BLUE	Blue	3.6	292	76	18
CT7-BROWN	Brown	3.6	292	76	18
CT7-GREEN	Green	3.6	292	76	18
CT7-ORANGE	Orange	3.6	292	76	18
CT7-PURPLE	Purple	3.6	292	76	18
CT7-RED	Red	3.6	292	76	18
CT7-SILVER	Silver	3.6	292	76	18
CT7-YELLOW	Yellow	3.6	292	76	18