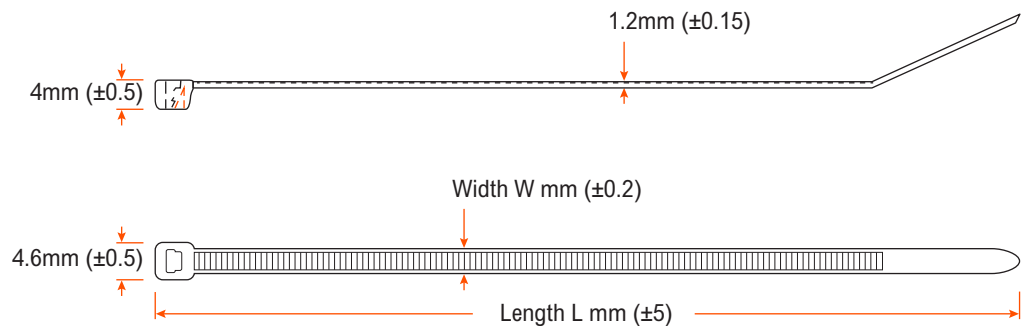
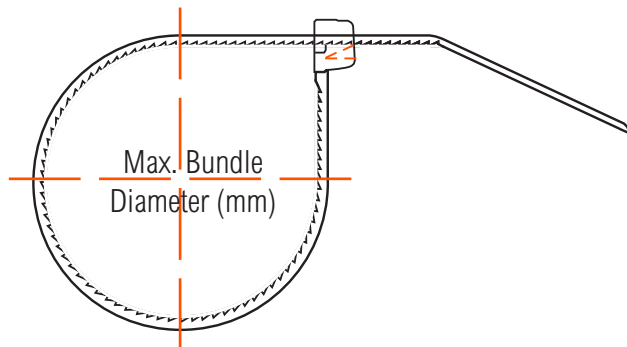
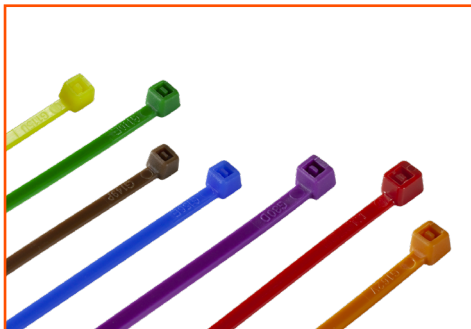


Coloured Cable Ties

Miniature Range



• Material:	UL approved Nylon 66, 94V-2. High tensile strength with low insertion force. Excellent resistance to weathering and ageing.
• Feature:	Suitable for a multitude of uses in various industries.
• Application:	Self-locking for fast and easy application.
• Operating Temperature:	-40°C to +85°C.



See product technical table on next page

Coloured Cable Ties

Miniature Range

Item No.	Colour	Width W (mm)	Length L (mm)	Max. Bundle Diameter (mm)	Min. Tensile Strength (kg)
CT1-BLUE	Blue	2.5	100	22	8
CT1-BROWN	Brown	2.5	100	22	8
CT1-GREEN	Green	2.5	100	22	8
CT1-ORANGE	Orange	2.5	100	22	8
CT1-PURPLE	Purple	2.5	100	22	8
CT1-RED	Red	2.5	100	22	8
CT1-SILVER	Silver	2.5	100	22	8
CT1-YELLOW	Yellow	2.5	100	22	8
CT4-BLUE	Blue	2.5	200	55	8
CT4-BROWN	Brown	2.5	200	55	8
CT4-GREEN	Green	2.5	200	55	8
CT4-ORANGE	Orange	2.5	200	55	8
CT4-PURPLE	Purple	2.5	200	55	8
CT4-RED	Red	2.5	200	55	8
CT4-SILVER	Silver	2.5	200	55	8
CT4-YELLOW	Yellow	2.5	200	55	8