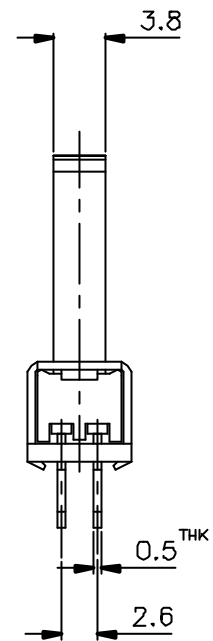
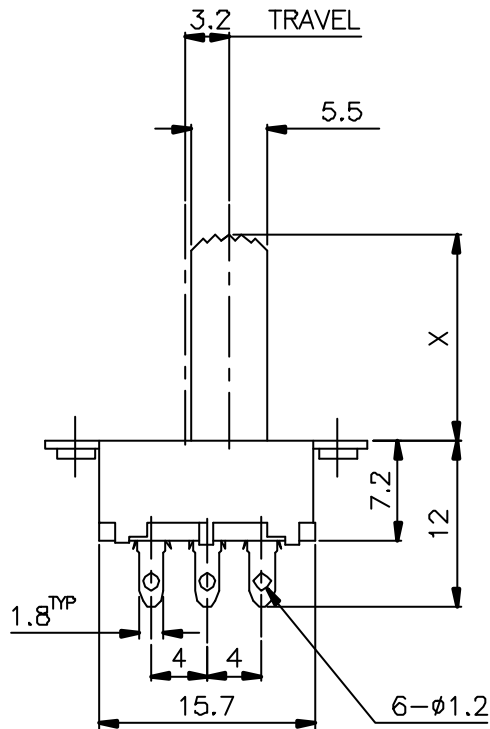
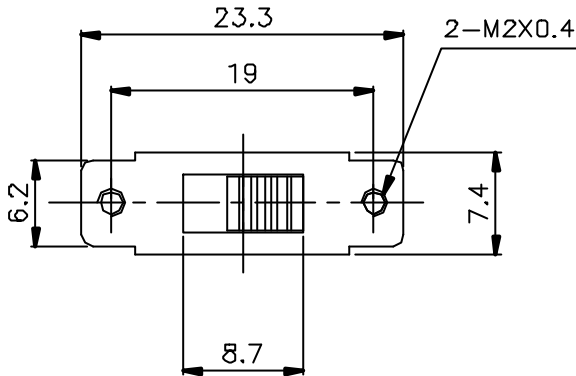


SCHEMATIC



X=

|        |   |                          |       |  |             |
|--------|---|--------------------------|-------|--|-------------|
| ISSUED | SPECIFICATION (INITIAL)                         | TITLE: SLIDE SWITCH 2P2T |       |  |             |
|        | RATING: DC 50V 0.5A                             | MODEL NO: SS-22F25-G     |       |  |             |
|        | CONTACT RESISTANCE: Not more than 30m (initial) | UNIT: m m                | DWN   |  |             |
|        | INSULATION RESISTANCE: 500MΩ at 500V DC         | SCALE: 2 : 1             | CHK'D |  |             |
|        | WITHSTAND VOLTAGE: AC 500V for 1 min            | TOLERANCE: ±0.2          | APPD. |  |             |
|        | OPERATION FORCE 400±250G                        |                          |       |  |             |
|        | SWITCHING LIFE: 10,000 Cycles(6-10C/M loading)  |                          |       |  |             |
| BY:    | PROMOTIVE INDUSTRIAL CO., LTD. HONG KONG        |                          |       |  | DRWG NO:    |
| DATE:  |   |                          |       |  | B 800528-00 |