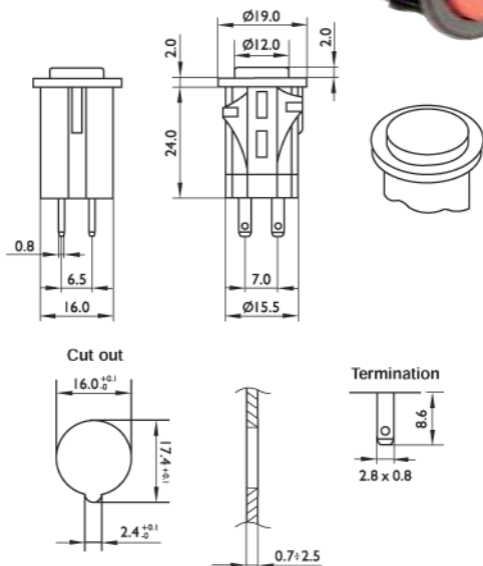


# P SERIES 16MM PUSH BUTTON SWITCH



## Specifications

P Series	Rating	Colour	Switch action
P12431900000	3(1)A/250VAC	Black body Red button	SP momentary
P12432200000	3(1)A/250VAC	White body White button	SP momentary
P12731200000	3(1)A/250VAC	Black body White button	DP momentary
P12R31G00000	3(1)A/250VAC	Black body Red button	DP momentary Illuminated
P52121G00000	200-250VAC	Black body Red indicator	

Approval ENEC

## Applications

- Toys
- Photographic equipment
- Machine tools
- Heating/air-conditioning
- Medical equipment
- Small/medium household appliances
- Vending machines
- Lighting