

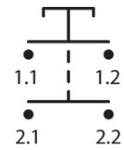
SXL4 Series | Double-pole latching switch 16A quick connection 4.8 black body matt push-button



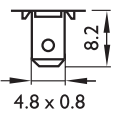
sample image

PRODUCT CODE: SXL4122H110000W

Wiring diagrams



Terminal type



Body colour

Actuator colour

Rating

16 (4) A / 250 VAC
10 (6) A / 250 VAC - 5E4
T125/55 °C

16 A / 125 VAC
 16 A / 250 VAC
 3/4 HP - 125 VAC
 3/4 HP - 250 VAC
 T100 °C

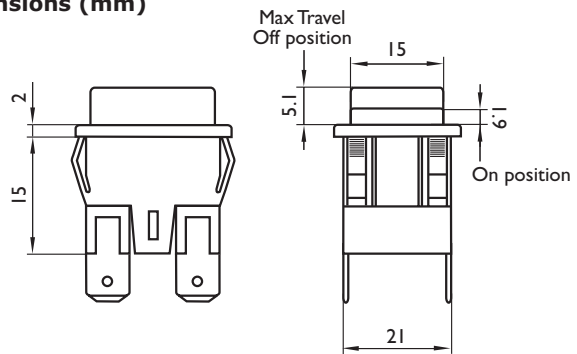
Approvals



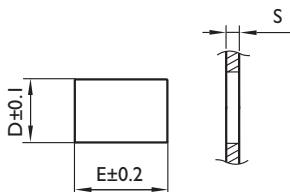
C US



Dimensions (mm)



Cut out (mm)



S	D ¹	D ²	E
0.5-1.2	12.9	13.4	19
1.2-2	12.9	13.4	19.3
2-3	12.9	13.4	19.6

JPR Electronics Ltd.

Unit 4, Circle Business Centre. Blackburn Road. Dunstable. Beds. LU5 5DD

t: +44 (0) 1582 47 00 00 f: +44 (0) 1582 47 00 01 e:sales@jprelec.co.uk w:jprelec.co.uk