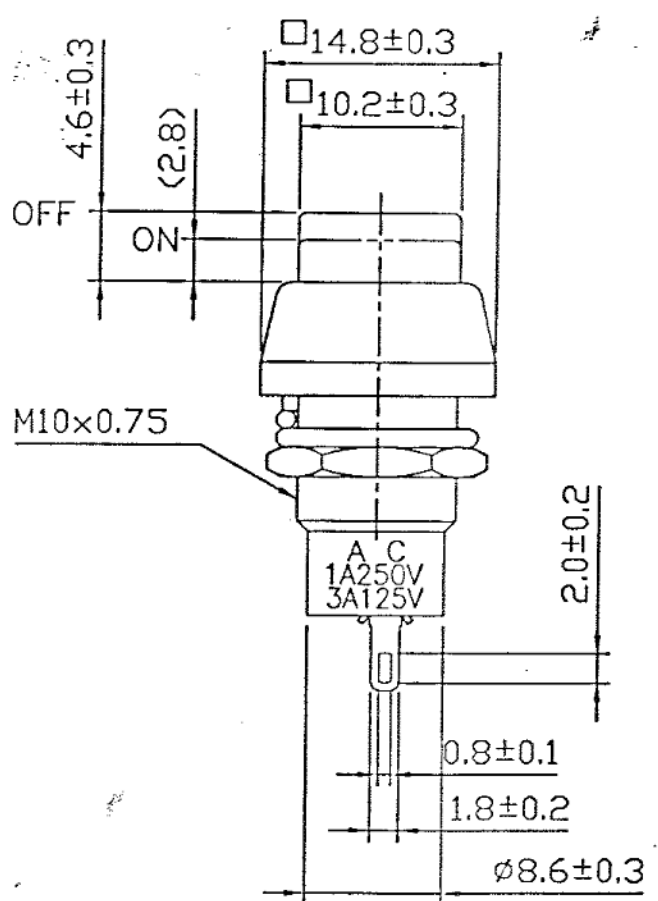
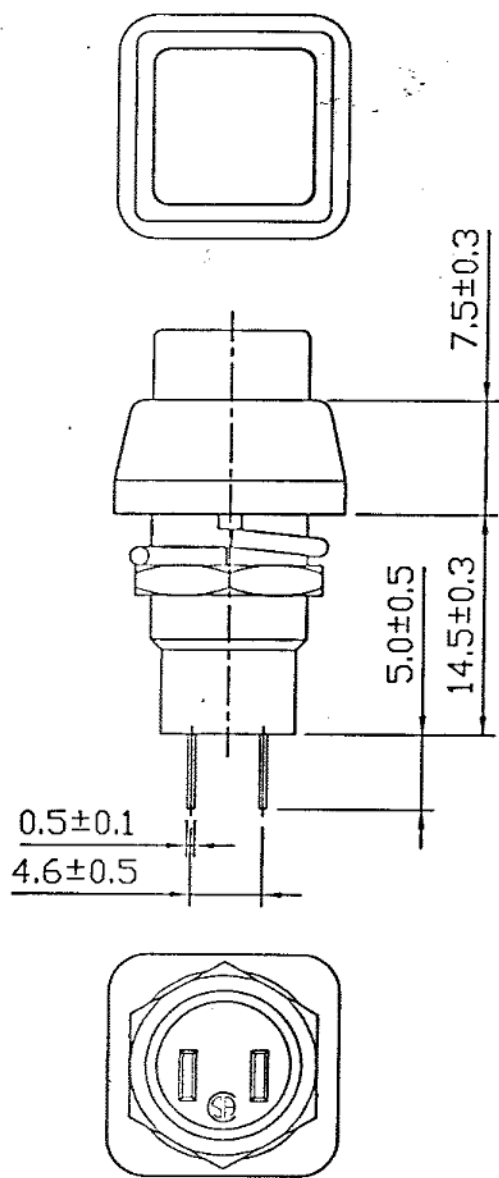


Rating	3A 125V, 1A 250V AC	Mount Hole	Circuit Structure
Contact R	50m ohm Max.		
Insulation R	DC 500V 100M ohm Min.		
Dielectric Strength	AC 1500V 1 minute		
Circuit	2P SPST OFF-ON		



Customer No.	No.	Date	Name	Descriptions
SCI No.				
Model No.	R13-83B			
Drawing	Check	Approval		
王佰山				
Jun-15-98				