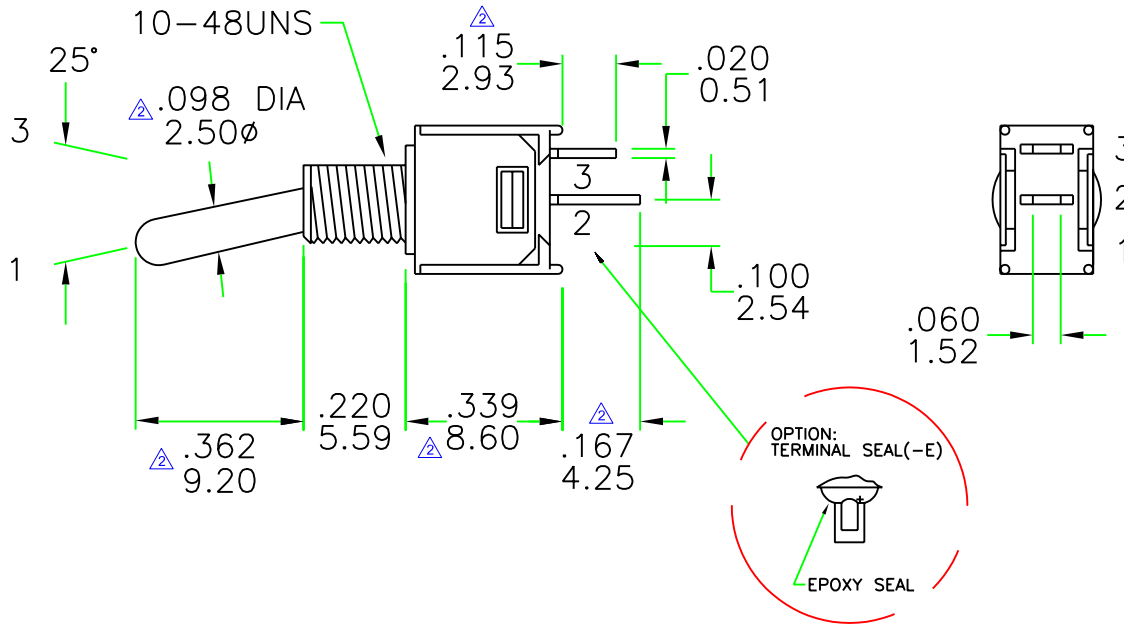
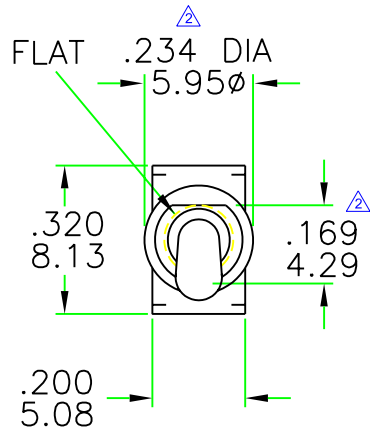
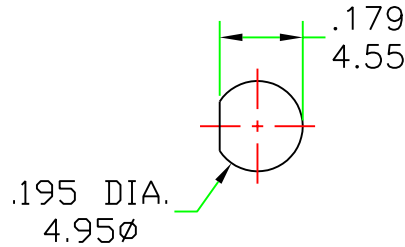


TS-4(2P)-SEB DIMENSIONS



PANEL MOUNTING



Model No.	Switching Position	
TS-4(2P)	ON	OFF
Term. Comm.	2-3	2-1

2					General Tolerance		Part no. TS-4(2P)-SEB	SH 興瀚企業股份有限公司 SALECOM. ELECTRONICS CO., LTD.	Approved	
			Range	Tolerance					Checked	
1	1	修正錯誤尺寸		07.08.14	0 ~ 1	±0.10	Dwg no. SWTS-4-009			
	0	NEW		04.01.16	1 ~ 4	±0.20	Part Name.	Scale 2:1		Drawer Jessica
Zone	Rev.	Description	Reviser	Date	4 ~ 16	±0.30	TS40-T/SPST Sub-miniature Toggle Switches	Unit m/m (inch)	Rev. 1	Date 2007.08.14