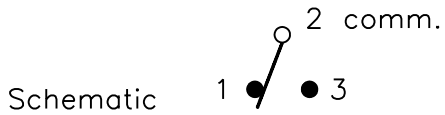
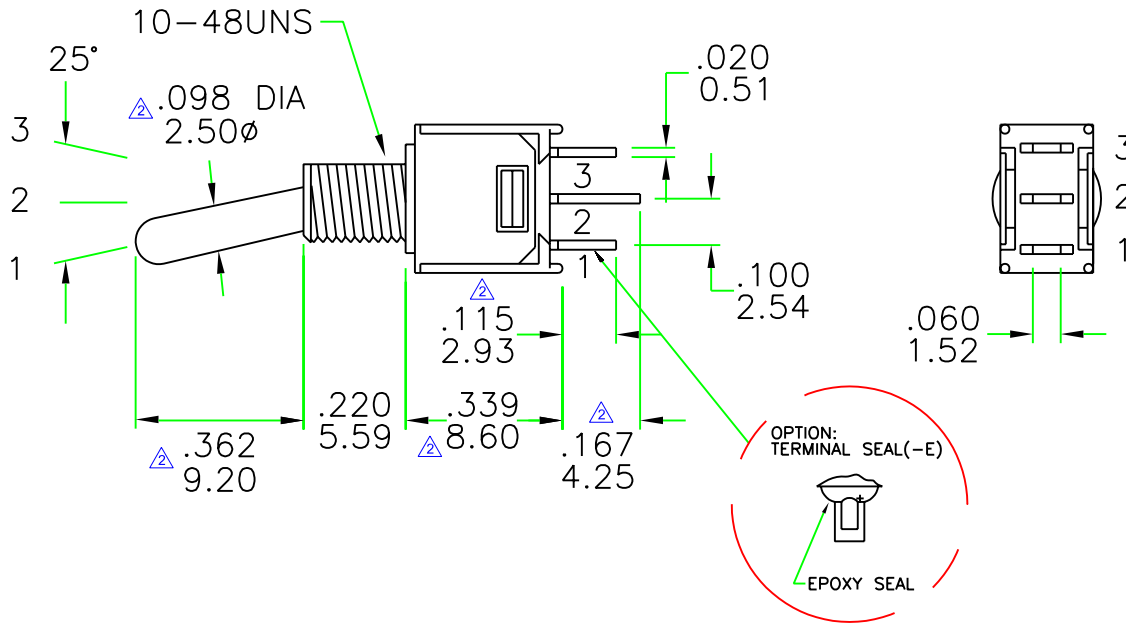
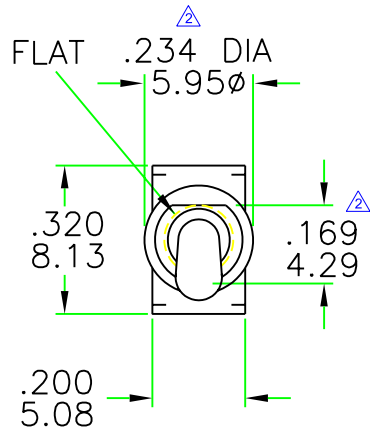
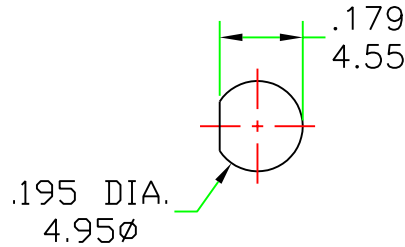


TS-4-SEB DIMENSIONS



PANEL MOUNTING



| Model No. | Switching Position | | |
|-------------|--------------------|------|------|
| | | | |
| TS-4 | ON | NONE | ON |
| TS-4A | ON | OFF | ON |
| TS-4B | ON | NONE | (ON) |
| TS-4H | (ON) | OFF | (ON) |
| TS-4I | ON | OFF | (ON) |
| Term. Comm. | 2-3 | OPEN | 2-1 |

| | | | | | | | | | | | |
|------|------|-------------|---------|----------|-------------------|-----------|---|--|----------|--------|--------------------|
| 2 | 2 | 修正錯誤尺寸 | | 07.08.14 | General Tolerance | | Part no. TS-4-SEB | SH 興瀚企業股份有限公司 SALECOM. ELECTRONICS CO., LTD. | Approved | | |
| | | | | | Range | Tolerance | | | | | Dwg no. SWTS-4-001 |
| 1 | 1 | | | 05.07.14 | 0 ~ 1 | ±0.10 | Part Name. | Scale 2:1 | | Drawer | |
| | 0 | NEW | | 01.10.24 | 1 ~ 4 | ±0.20 | TS40-T/SPDT Sub-miniature Toggle Switches | Unit m/m (inch) | Rev. 1 | Date | 2007.08.14 |
| Zone | Rev. | Description | Reviser | Date | 4 ~ 16 | ±0.30 | | | | | |