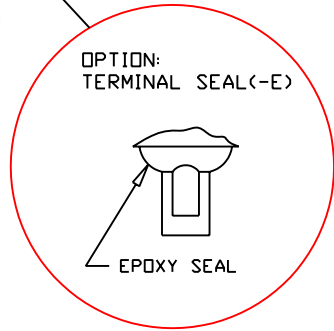
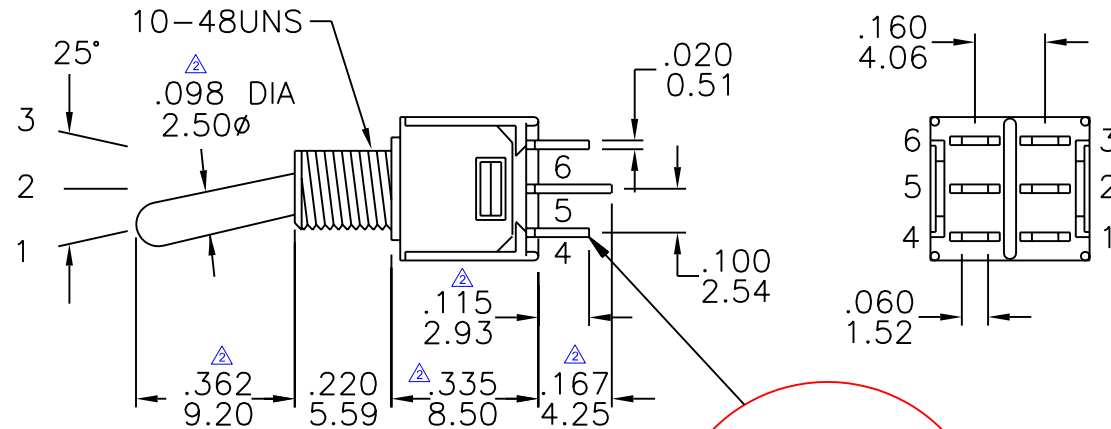
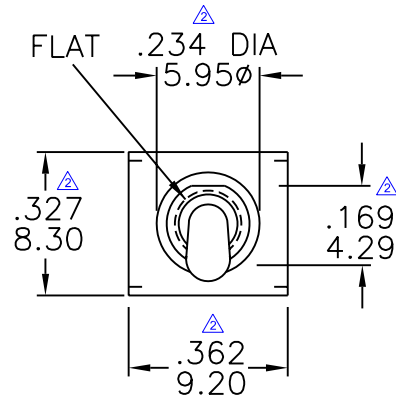
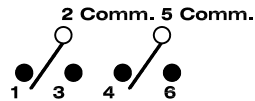


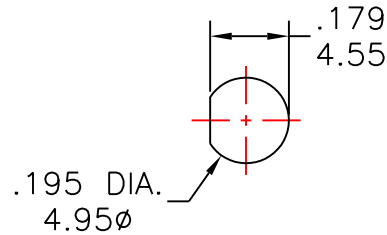
TS-5-SEB DIMENSIONS



Schematic



PANEL MOUNTING



Model No.	Switching Position		
TS-5	ON	NONE	ON
TS-5A	ON	OFF	ON
TS-5B	ON	NONE	(ON)
TS-5H	(ON)	OFF	(ON)
TS-5I	ON	OFF	(ON)
Term. Comm.	2-3,5-6	OPEN	2-1,5-4

2	2	修正錯誤尺寸		07.05.23	General Tolerance		Part no. TS-5-SEB	SH 興瀚企業股份有限公司 SALECOM. ELECTRONICS CO., LTD.	Approved		
					Range	Tolerance					Dwg no. SWTS-5-001
1	1			05.07.14	0 ~ 1	±0.10	Part Name.	Scale 2:1		Checked	
					1 ~ 4	±0.20					TS40-T/DPDT Sub-miniature Toggle Switches
	0	NEW		01/10/24	4 ~ 16	±0.30		Unit m/m (inch)	Rev. 2	Date	