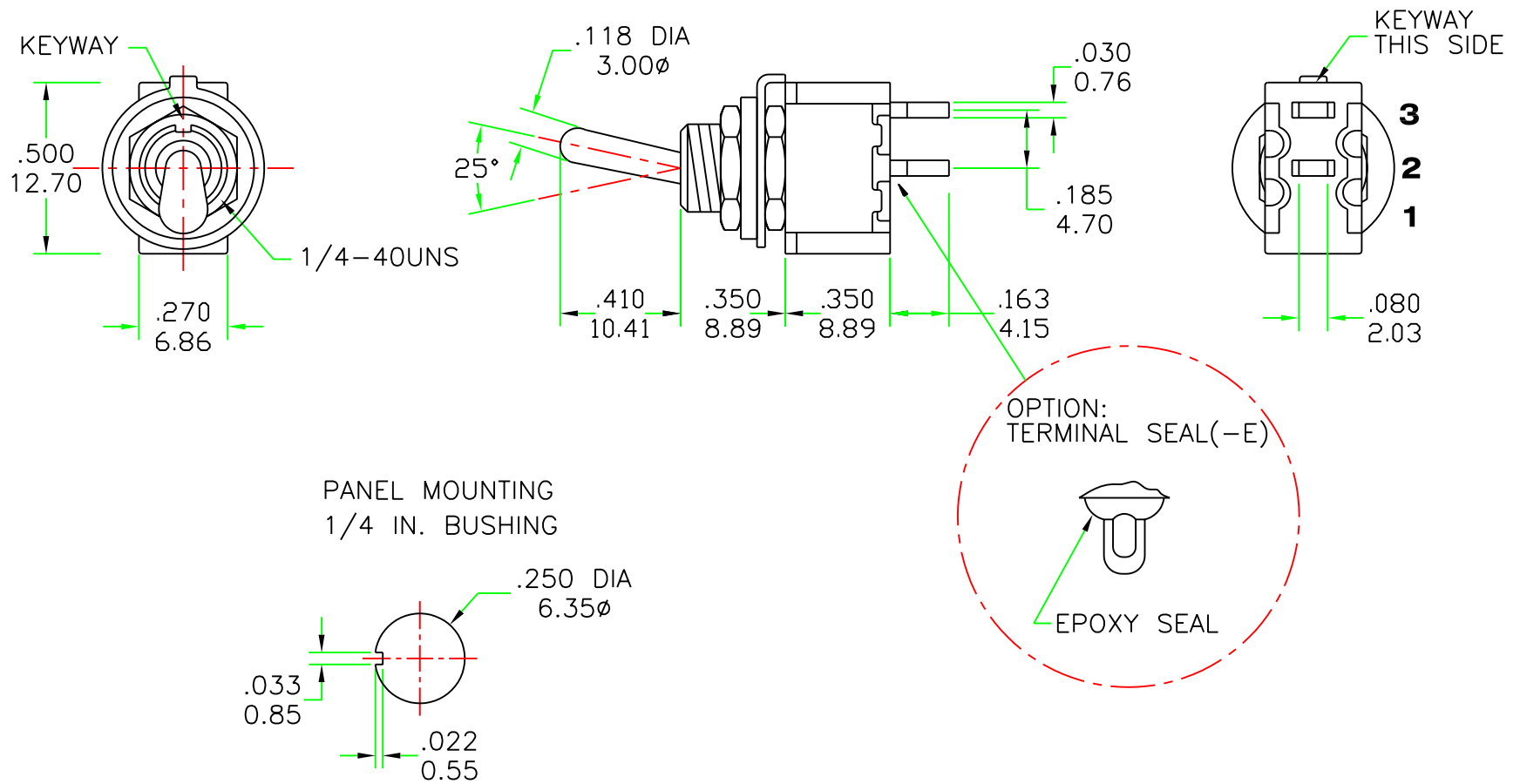


T8013(2P)-SEB-B3 DIMENSIONS



Model No.	Switching Position	
T8013(2P)	ON	OFF
Term. Comm.	2-3	2-1

1	1	NEW	Reviser	Date	General Tolerance		Part no. T8013(2P)-SEB-B3	SH 興瀚企業股份有限公司 SALECOM. ELECTRONICS CO., LTD.	Approved	
					Range	Tolerance				Dwg no. SW8013(2P)-B3001
	0			08.02.19	0 ~ 1	±0.10	Part Name. T80-T/ SPST MINIATURE TOGGLE SWITCHES	Scale 2:1		
Zone	Rev.	Description	Reviser	Date	1 ~ 4	±0.20				Unit m/m (inch)
					4 ~ 16	±0.30				