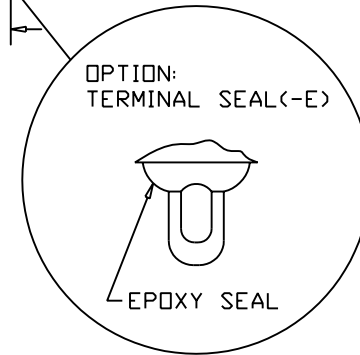
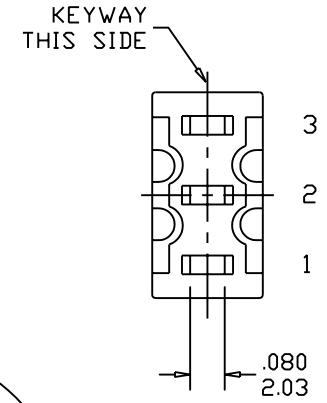
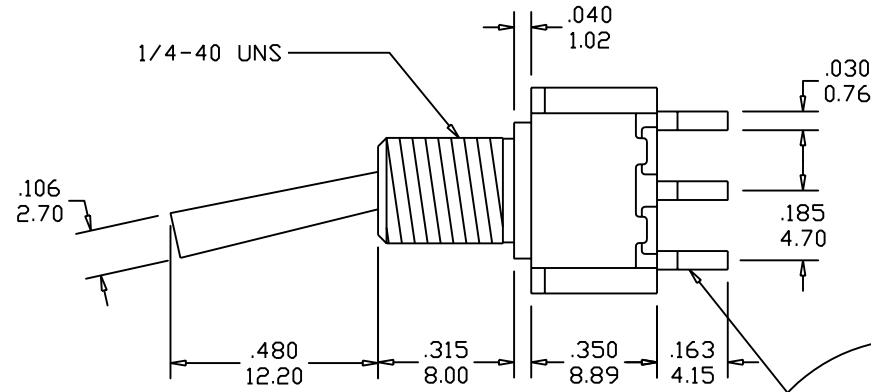
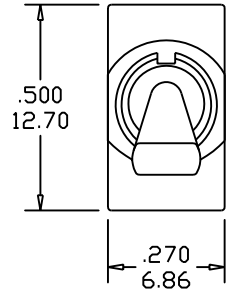
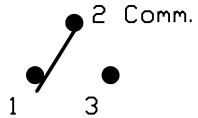
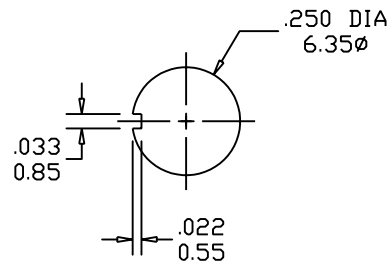


DIMENSIONS



PANEL MOUNTING



Schematic

Model No.	Switching Position		
T8013	ON	NONE	ON
T8013A	ON	NONE	(ON)
T8014	ON	OFF	ON
T8014A	(ON)	OFF	(ON)
T8014B	ON	OFF	(ON)
Term. Comm.	2-3	OPEN	2-1

Zone	3	修改編號;變更圖面圖框	11.07.29	General Tolerance		Part no. T801*-UHB	SH 興瀚企業股份有限公司 SALECOM. ELECTRONICS CO., LTD.	Approved	
	2		06.09.08	Range	Tolerance	Dwg no. SW8013-UHB		Checked	
	1		04.02.11	1 ~ 4	±0.20	Part Name.	Scale 2:1		Drawer Jessica
				4 ~ 16	±0.30	T80-T/ SPDT MINIATURE TOGGLE SWITCHES	Unit m/m (inch)	Rev. 3	Date