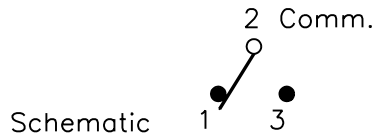
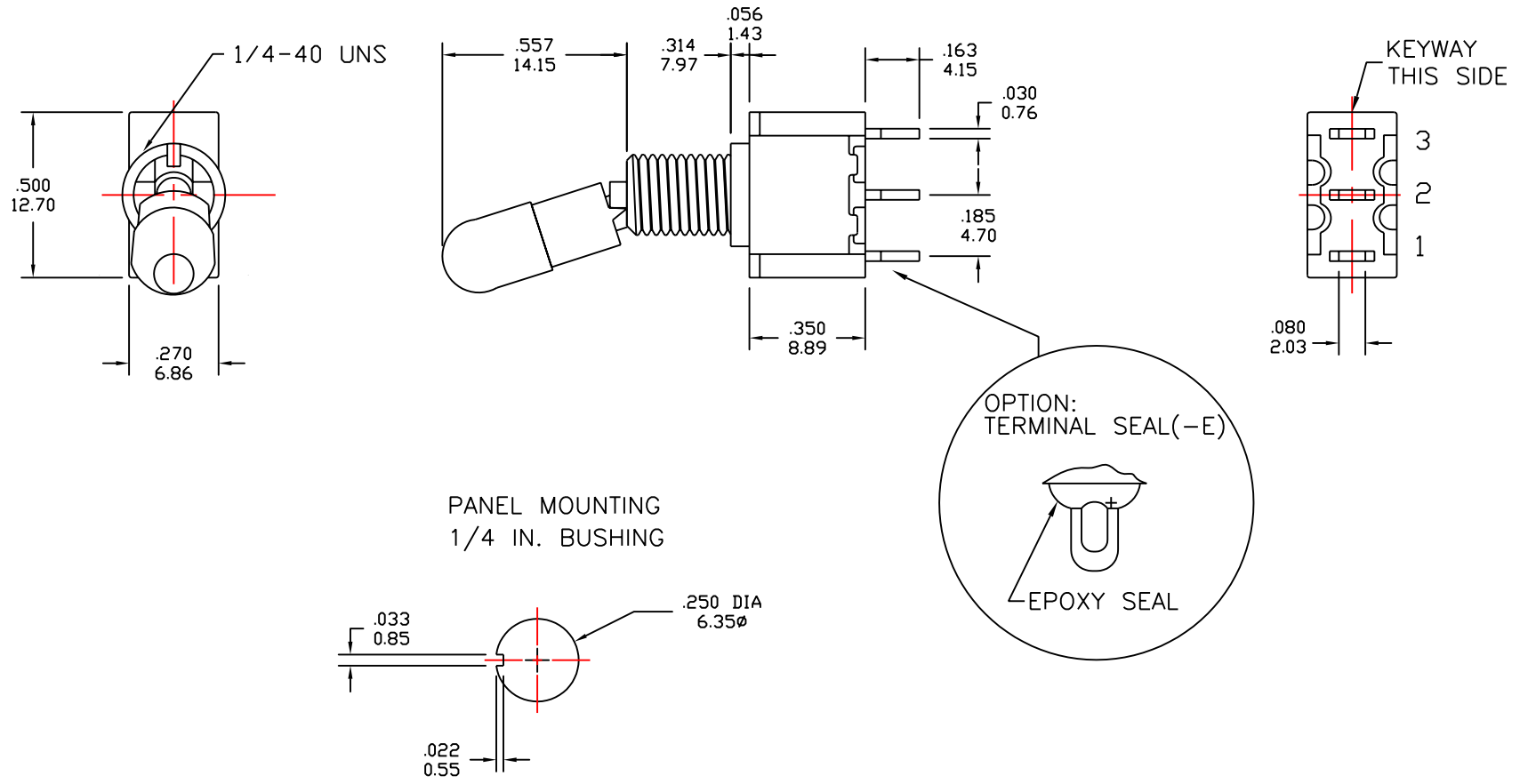


T8013-LKB DIMENSIONS



model no.	switching position			nominal tolerance		part no. T8013-LKB dwg no. SWT8013-LK001	興瀚企業股份有限公司 Salecom. Electronics Co., Ltd	material		
				range	tolerance			check		
T8013	on	none	on	0-1	±0.10	part name. T80-T/SPDT Miniature Toggle Switches	scale 1:1		drawer Jessica	
T8014	on	off	on	1-4	±0.20		unit m/m (inch)	rev. 1	date	2006/10/23
term comm.	2-3	open	2-1	4-16	±0.30					