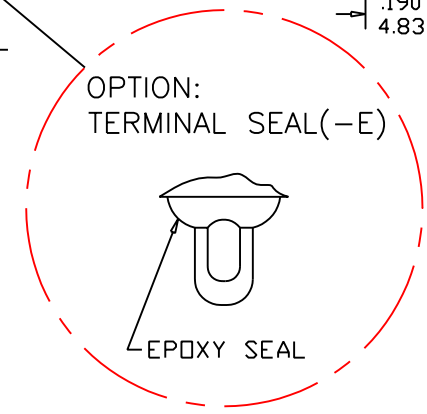
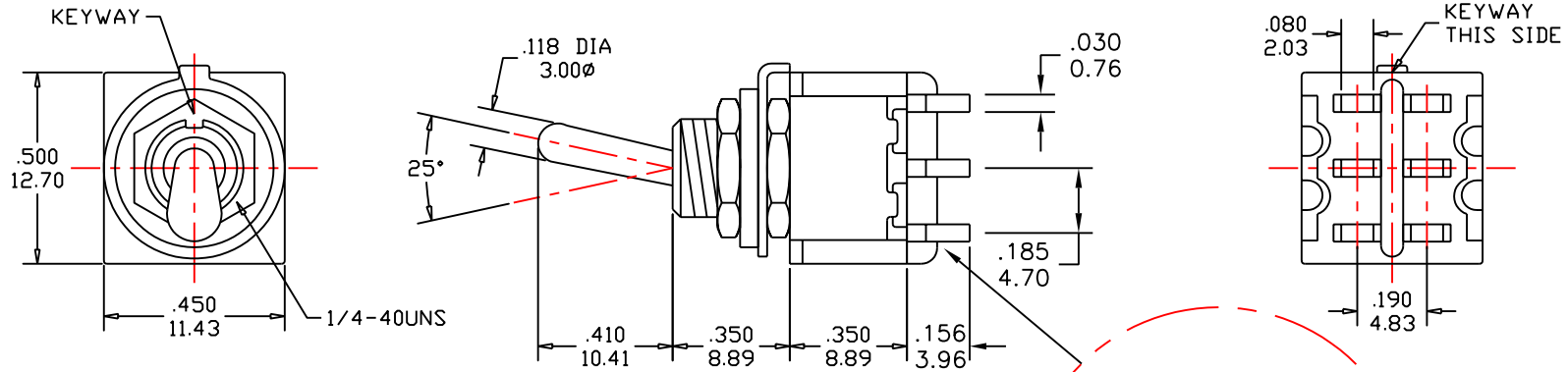
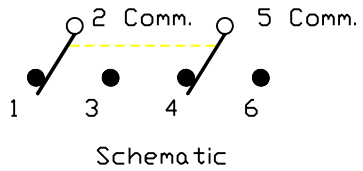
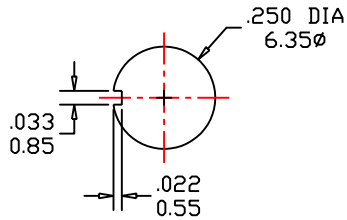


T8011-SEB-B3 DIMENSIONS



PANEL MOUNTING
1/4 IN. BUSHING



Model No.	Switching Position		
T8011	ON	NONE	ON
T8011A	ON	NONE	(ON)
T8012	ON	OFF	ON
T8012A	(ON)	OFF	(ON)
T8012B	ON	OFF	(ON)
Term. Comm.	2-3,5-6	OPEN	2-1,5-4

					General Tolerance		Part no. T8011-SEB-B3	SH 興瀚企業股份有限公司 SALECOM. ELECTRONICS CO., LTD.	Approved	
\triangle 1	1				Range	Tolerance	Dwg no. SWT8011-B3001		Checked	
	0	NEW		08.02.19	0 ~ 1	± 0.10	Part Name.	Scale 2:1		Drawer Jessica
Zone	Rev.	Description	Reviser	Date	1 ~ 4	± 0.20	T80-T/ DPDT MINIATURE TOGGLE SWITCHES	Unit m/m (inch)	Rev. 0	Date 2008.02.19
					4 ~ 16	± 0.30				