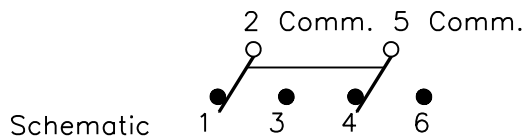
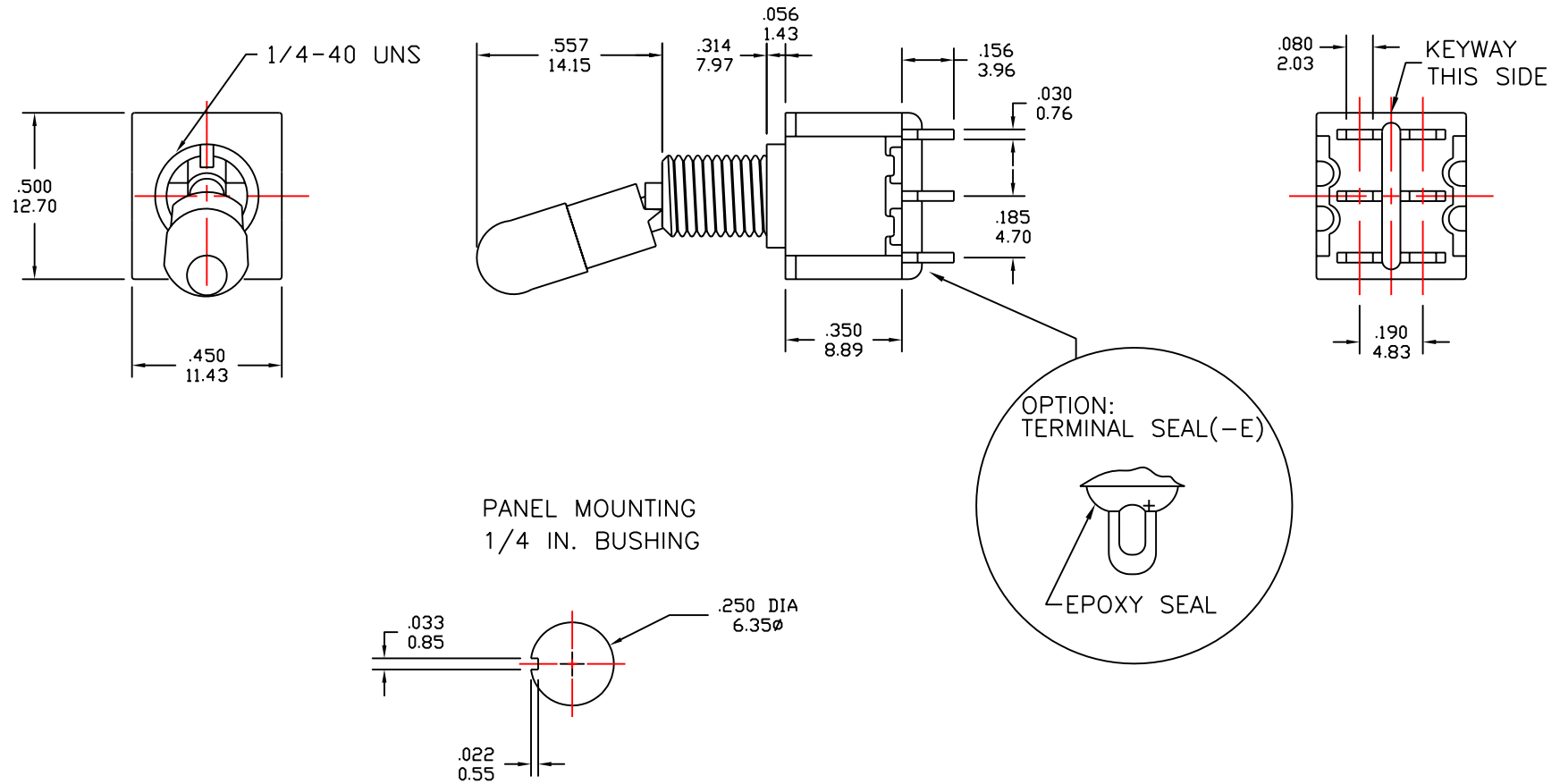


T8011-LKB DIMENSIONS



model no.	switching position			nominal tolerance		part no. T8011-LKB	SH 興瀚企業股份有限公司 Salecom. Electronics Co., Ltd	material		
				range	tolerance	dwg no. SWT8011-LK001		check		
T8011	on	none	on	0-1	±0.10	part name. T80-T/DPDT Miniature Toggle Switches	scale 1:1		drawer	Jessica
T8012	on	off	on	1-4	±0.20				unit m/m (inch)	rev. 1
term comm.	2-3,5-6	open	2-1,5-4	4-16	±0.30					