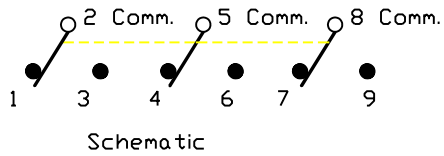
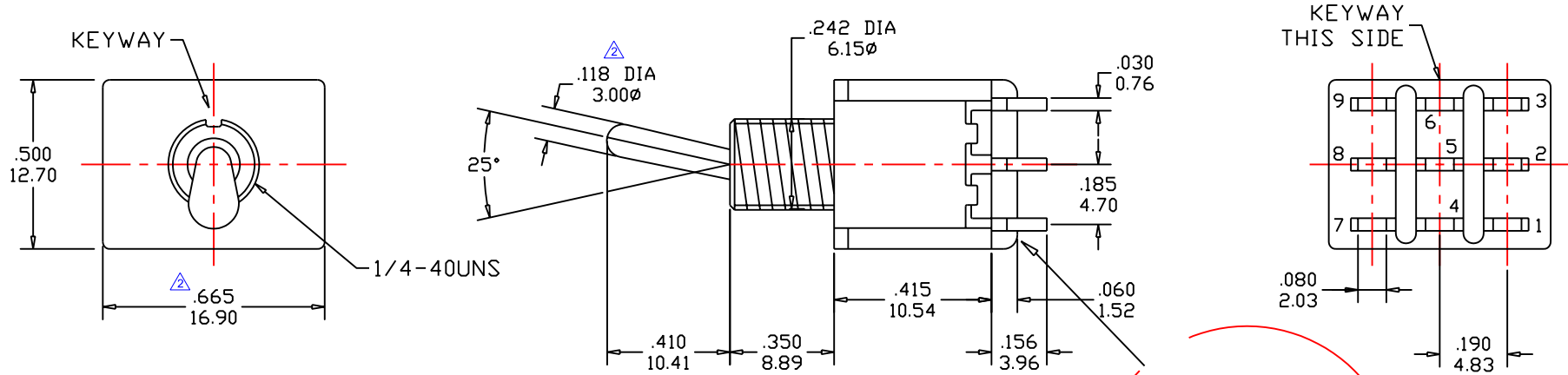
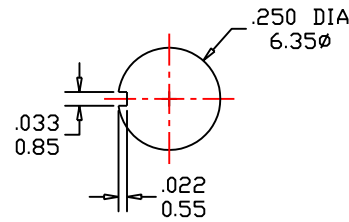


# T8301-SEB DIMENSIONS



PANEL MOUNTING  
1/4 IN. BUSHING



| Model No.   | Switching Position |      |                |
|-------------|--------------------|------|----------------|
|             |                    |      |                |
| T8301       | ON                 | NONE | ON             |
| T8303       | ON                 | NONE | (ON)           |
| T8305       | ON                 | OFF  | ON             |
| T8307       | (ON)               | OFF  | (ON)           |
| T8309       | ON                 | OFF  | (ON)           |
| Term. Comm. | 2-3,5-6<br>8-9     | OPEN | 2-1,5-4<br>8-7 |

|      |      |                                      |         |          |                   |           |                                       |  |          |            |
|------|------|--------------------------------------|---------|----------|-------------------|-----------|---------------------------------------|--|----------|------------|
| 2    | 2    | 底座長度由16.51改為16.90<br>把手直徑由2.92改為3.00 |         | 08.02.18 | General Tolerance |           | Part no. T8301-SEB                    | <b>SH</b> 興瀚企業股份有限公司<br>SALECOM. ELECTRONICS CO., LTD. | Approved |            |
|      |      |                                      |         |          | Range             | Tolerance |                                       |  |          | Checked    |
| 1    | 1    |                                      |         | 04.09.30 | 0 ~ 1             | ±0.10     | Dwg no. SWT8301-001                   | Drawer   | Jessica  |            |
|      | 0    | NEW                                  |         | 02.01.21 | 1 ~ 4             | ±0.20     | Part Name.                            |  |          | Scale 2:1  |
| Zone | Rev. | Description                          | Reviser | Date     | 4 ~ 16            | ±0.30     | T80-T/ 3PDT MINIATURE TOGGLE SWITCHES | Unit m/m (inch)  | Date     | 2008.02.18 |